

COLLIN COUNTY

Signs: Road, Parking and Custom

IFB 2016-166

**Carol Magers
Jack Hatchell Administration Building
2300 Bloomdale Road, Ste. 3160
McKinney, TX 75071**

**(P) 972-548-4110 (F) 972-548-4694
cmagers@co.collin.tx.us**

Collin County exclusively uses IonWave Technologies, Inc. ([Collin County eBid](#)) for the notification and dissemination of all solicitations. The receipt of solicitations through any other means may result in your receipt of incomplete specifications and/or addendums which could ultimately render your bid/proposal non-compliant. Collin County accepts no responsibility for the receipt and/or notification of solicitations through any other means.

LEGAL NOTICE

By order of the Commissioners' Court of Collin County, Texas, sealed bids will be received by the Purchasing Agent, 2300 Bloomdale Road, Suite 3160, McKinney, TX 75071, until **2:00 P.M., Thursday, August 11, 2016** for competitive bids on **Signs: Road, Parking and Custom, IFB 2016-166**. Bidders should use unit pricing. Funds for payment are provided through Collin County budget approved by the Commissioners' Court for this fiscal year only. Bidders may secure copies of the Bidding Documents at <https://collincountytx.ionwave.net> . Bids will be opened by the Purchasing Agent in the Purchasing Conference Room, Collin County Administration Building, 2300 Bloomdale Road, Suite 3160, McKinney TX, 75071 on **Thursday, August 11, 2016 at 2:00 P.M.** The Commissioners' Court reserves the right to reject any and all bids.



ATTENTION: CLASSIFIEDS
BILL TO: ACCOUNT NO 06100315-00
COMMISSIONERS' COURT

NOTICE TO PUBLISHERS: Please publish in your issue on **Thursday, July 28, 2016** and **Thursday, August 4, 2016**. A copy of this notice and the publishers' affidavit must accompany the invoice when presented for payment.

NEWSPAPER: Plano Star Courier
DATE: July 25, 2016
FAX: 972-529-1684

Collin County, Texas

Bid Information

Bid Owner Carol Magers Buyer II
Email cmagers@co.collin.tx.us
Phone (972) 548-4119
Fax (972) 548-4694

Bid Number 2016-166
Title Signs: Road, Parking, and Custom

Bid Type IFB
Issue Date 07/26/2016
Close Date 8/11/2016 02:00:00 PM (CT)

Contact Information

Address 2300 Bloomdale Rd.
Ste. 3160
McKinney, TX 75071

Contact Carol Magers Buyer II
Department Purchasing
Building Admin. Building
Floor/Room Ste.3160
Telephone (972) 548-4119
Fax (972) 548-4694
Email cmagers@co.collin.tx.us

Ship to Information

Address 700A Wilmeth Rd.
McKinney, TX 75069

Contact
Department Public Works
Building Service Center
Floor/Room
Telephone
Fax
Email

Supplier Information

Company Name _____
Contact Name _____
Address _____

Telephone _____
Fax _____
Email _____

Supplier Notes

The undersigned hereby certifies the foregoing bid submitted by the company listed below hereinafter called "bidder" is the duly authorized agent of said company and the person signing said bid has been duly authorized to execute same. Bidder affirms that they are duly authorized to execute this contract; this company; corporation, firm, partnership or individual has not prepared this bid in collusion with any other bidder or other person or persons engaged in the same line of business; and that the contents of this bid as to prices, terms and conditions of said bid have not been communicated by the undersigned nor by any employee or agent to any other person engaged in this type of business prior to the official opening of this bid.

Signature _____ Date ____ / ____ / ____

Bid Notes

Bid Activities

Date	Name	Description
8/5/2016 02:00:00 PM (CT)	Intent to Bid	Do you intend to bid?
8/5/2016 02:00:00 PM (CT)	Deadline for Questions and Answers	Please address any questions to Carol Magers at cmagers@co.collin.tx.us

Bid Messages

Bid Attachments

The following attachments are associated with this opportunity and will need to be retrieved separately

Line	Filename	Description
Header	Legal Notice.doc	Legal Notice
Header	General Instructions_Bid.docx	General Instructions_Bid
Header	Terms of Contract_Bid.docx	Terms of Contract - Bid
Header	Insurance.doc	Insurance
Header	2016-166 Specifications.doc	Specifications 2016-166
Header	Attachment A.pdf	Attachment A
Header	Attachment B.pdf	Attachment B
Header	Attachment C.doc	Attachment C
Header	DETAIL 1 - ATTACHMENT D.docx	Attachment D
Header	DETAIL 2 - ATTACHMENT E.docx	Attachment E
Header	HB23_CIQ_-_Information_Regarding_Conflict_of_Interest_Questionnaire.docx	Information Regarding Conflict of Interest Questionnaire
Header	CIQ_113015.pdf	Conflict of Interest Questionnaire
Header	W9_2014.pdf	W-9

Bid Attributes

Please review the following and respond where necessary

#	Name	Note	Response
1	Delivery	<p>Delivery will be F.O.B. inside delivery at Collin County designated locations and all transportation charges are to be paid by the supplier to destination.</p> <p>Please state delivery in calendar days from date of order.</p>	_____ (Required)
2	Exceptions	<p>Do you take exceptions to the specifications. If so, by separate attachment, please state your exceptions.</p> <p>Valid Responses: [Please Select], Yes, No</p>	_____ (Required)
3	Insurance	<p>I understand that the insurance requirements of this solicitation are required and a certificate of insurance shall be submitted to the Purchasing department if I am awarded all or a portion of the resulting contract.</p> <p>Please initial.</p>	_____ (Required)
4	Reference No. 1	<p>List a company or governmental agency where these same/like products /services, as stated herein, have been provided.</p> <p>Include the following: Company/Entity, Contact, Address, City/State/Zip, Phone, and E-Mail.</p>	_____ (Required)
5	Reference No. 2	<p>List a company or governmental agency where these same/like products /services, as stated herein, have been provided.</p> <p>Include the following: Company/Entity, Contact, Address, City/State/Zip, Phone, and E-Mail.</p>	_____ (Required)

- 6 Reference No. 3 List a company or governmental agency where these same/like products /services, as stated herein, have been provided. _____ (Required)
- Include the following: Company/Entity, Contact, Address, City/State/Zip, Phone, and E-Mail.
- 7 Cooperative Contracts As permitted under Title 8, Chapter 271, Subchapter F, Section 271.101 and 271.102 V.T.C.A. and Title 7, Chapter 791, Subchapter C, Section 791.025, V.T.C.A., other local governmental entities may wish to also participate under the same terms and conditions contained in this contract. Each entity wishing to participate must enter into an inter-local agreement with Collin County and have prior authorization from vendor. If such participation is authorized, all purchase orders will be issued directly from and shipped directly to the local governmental entity requiring supplies/services. Collin County shall not be held responsible for any orders placed, deliveries made or payment for supplies/services ordered by these entities. Each entity reserves the right to determine their participation in this contract. _____ (Required)
- Would bidder be willing to allow other local governmental entities to participate in this contract, if awarded, under the same terms and conditions?
Valid Responses: [Please Select], Yes, No
- 8 Preferential Treatment The County of Collin, as a governmental agency of the State of Texas, may not award a contract to a nonresident bidder unless the nonresident's bid is lower than the lowest bid submitted by a responsible Texas resident bidder by the same amount that a Texas resident bidder would be required to underbid a nonresident bidder to obtain a comparable contract in the state in which the nonresident's principal place of business is located (Government Code, Title 10, V.T.C.A., Chapter 2252, Subchapter A). _____ (Required)
1. Is your principal place of business in the State of Texas?
2. If your principal place of business is not in Texas, in which State is your principal place of business?
3. If your principal place of business is not in Texas, does your state favor resident bidders (bidders in your state) by some dollar increment or percentage?
4. If your state favors resident bidders, state by what dollar amount or percentage.
- 9 Debarment Certification I certify that neither my company nor an owner or principal of my company has been debarred, suspended or otherwise made ineligible for participation in Federal Assistance programs under Executive Order 12549, "Debarment and Suspension," as described in the Federal Register and Rules and Regulations. _____ (Required)
- Please initial.

- 10 Immigration and Reform Act _____ (Required)
- I declare and affirm that my company is in compliance with the Immigration and Reform Act of 1986 and all employees are legally eligible to work in the United States of America.
- I further understand and acknowledge that any non-compliance with the Immigration and Reform Act of 1986 at any time during the term of this contract will render the contract voidable by Collin County.
- Please initial.
- 11 Disclosure of Certain Relationships _____ (Required)
- Chapter 176 of the Texas Local Government Code requires that any vendor considering doing business with a local government entity disclose the vendor's affiliation or business relationship that might cause a conflict of interest with a local government entity. Subchapter 6 of the code requires a vendor to file a conflict of interest questionnaire (CIQ) if a conflict exists. By law this questionnaire must be filed with the records administrator of Collin County no later than the 7th business day after the date the vendor becomes aware of an event that requires the statement to be filed. A vendor commits an offense if the vendor knowingly violates the code. An offense under this section is a misdemeanor.
- By submitting a response to this request, the vendor represents that it is in compliance with the requirements of Chapter 176 of the Texas Local Government Code.
- Please send completed forms to the Collin County County Clerk's Office located at 2300 Bloomdale Rd., Suite 2104, McKinney, TX 75071.
- Please initial.
- 12 Disclosure of Interested Parties _____ (Required)
- Section 2252.908 of the Texas Government Code requires a business entity entering into certain contracts with a governmental entity to file with the governmental entity a disclosure of interested parties at the time the business entity submits the signed contract to the governmental entity. Section 2252.908 requires the disclosure form (Form 1295) to be signed by the authorized agent of the contracting business entity, acknowledging that the disclosure is made under oath and under penalty of perjury. Section 2252.908 applies only to a contract that requires an action or vote by the governing body of the governmental entity before the contract may be signed or has a value of at least \$1 million. Section 2252.908 provides definitions of certain terms occurring in the section.
- Section 2252.908 applies only to a contract entered into on or after January 1, 2016.
- Please initial.
- 13 Notification Survey _____ (Required)
- In order to better serve our offerors, the Collin County Purchasing Department is conducting the following survey. We appreciate your time and effort expended to submit your bid. Should you have any questions or require more information please call (972) 548-4165.
- How did you receive notice of this request?
Valid Responses: [Please Select], Plano Star Courier, Plano Room, Collin County eBid Notification, Collin County Website, Other

14 Bidder Acknowledgement

Bidder acknowledges, understands the specifications, any _____ (Required) and all addenda, and agrees to the bid terms and conditions and can provide the minimum requirements stated herein. Bidder acknowledges they have read the document in its entirety, visited the site, performed investigations and verifications as deemed necessary, is familiar with local conditions under which work is to be performed and will be responsible for any and all errors in Bid submittal resulting from Bidder's failure to do so. Bidder acknowledges the prices submitted in this Bid have been carefully reviewed and are submitted as correct and final. If Bid is accepted, vendor further certifies and agrees to furnish any and all products upon which prices are extended at the price submitted, and upon conditions in the specifications of the Invitation for Bid.

Please initial.

Line Items

#	Qty	UOM	Description	Response
---	-----	-----	-------------	----------

1	1	each	Section I: Prefabricated Signs: S.D.H.P.T., 30 in. x 30 in.	\$ _____ (Required) Unit Price
---	---	------	---	--------------------------------------

Ship To: 700A Wilmeth Rd., McKinney, TX 75069

Supplier Notes: _____

2	1	each	Section I: Prefabricated Signs: S.D.H.P.T., 28 in. x 48 in.	\$ _____ (Required) Unit Price
---	---	------	---	--------------------------------------

Ship To: 700A Wilmeth Rd., McKinney, TX 75069

Supplier Notes: _____

3	1	each	Section I: Prefabricated Signs: S.D.H.P.T., 18 in. x 24 in.	\$ _____ (Required) Unit Price
---	---	------	---	--------------------------------------

Ship To: 700A Wilmeth Rd., McKinney, TX 75069

Supplier Notes: _____

4	1	each	Section I: Prefabricated Signs: S.D.H.P.T., 18 in. x 24 in.	\$ _____ (Required) Unit Price
---	---	------	---	--------------------------------------

Ship To: 700A Wilmeth Rd., McKinney, TX 75069

Supplier Notes: _____

5	1	each	Section I: Prefabricated Signs: Octagonal 30 in. x 30 in.	\$ _____ (Required) Unit Price
---	---	------	---	--------------------------------------

Ship To: 700A Wilmeth Rd., McKinney, TX 75069

Supplier Notes: _____

6 1 each Section I: Prefabricated Signs: MHP; S.D.H.P.T., 18 in. x 18 in., W13-1

\$ _____
(Required)
Unit Price

Ship To: 700A Wilmeth Rd., McKinney, TX 75069

Supplier Notes: _____

7 1 each Section I: Prefabricated Signs: S.D.H.P.T., 36 in. x 36 in.

\$ _____
(Required)
Unit Price

Ship To: 700A Wilmeth Rd., McKinney, TX 75069

Supplier Notes: _____

8 1 each Section I: Prefabricated Signs: S.D.H.P.T., 48 in. x 30 in.

\$ _____
(Required)
Unit Price

Ship To: 700A Wilmeth Rd., McKinney, TX 75069

Supplier Notes: _____

9 1 each Section I: Prefabricated Signs: S.D.H.P.T., 24 in. x 36 in.

\$ _____
(Required)
Unit Price

Ship To: 700A Wilmeth Rd., McKinney, TX 75069

Supplier Notes: _____

10 1 each Section I: Prefabricated Signs: S.D.H.P.T., 24 in. x 42 in.

\$ _____
(Required)
Unit Price

Ship To: 700A Wilmeth Rd., McKinney, TX 75069

Supplier Notes: _____

11 1 each Section I: Prefabricated Signs: S.D.H.P.T., 60 in. x 30 in.

\$ _____
(Required)
Unit Price

Ship To: 700A Wilmeth Rd., McKinney, TX 75069

Supplier Notes: _____

12 1 each Section I: Prefabricated Signs: S.D.H.P.T., 12 in. x 18 in.

\$ _____
(Required)
Unit Price

Ship To: 700A Wilmeth Rd., McKinney, TX 75069

Supplier Notes: _____

13 1 each Section I: Prefabricated Signs: S.D.H.P.T., 12 in. x 18 in.

\$ _____
(Required)
Unit Price

Ship To: 700A Wilmeth Rd., McKinney, TX 75069

Supplier Notes: _____

14 1 each Section I: Prefabricated Signs: S.D.H.P.T., 18 in. x 18 in.

\$ _____
(Required)
Unit Price

Ship To: 700A Wilmeth Rd., McKinney, TX 75069

Supplier Notes: _____

15 1 each Section I: Prefabricated Signs; S.D.H.P.T., 12 in. x 12 in. HANDICAPPED SYMBOL

\$ _____
(Required)
Unit Price

Ship To: 700A Wilmeth Rd., McKinney, TX 75069

Supplier Notes: _____

16 1 each Section I: Prefabricated Signs: S.D.H.P.T., 12 in. x 6 in.

\$ _____
(Required)
Unit Price

Ship To: 700A Wilmeth Rd., McKinney, TX 75069

Supplier Notes: _____

17 1 each Section I: Prefabricated Signs: BUSES ONLY, 18 in. x 24 in.

\$ _____
(Required)
Unit Price

Ship To: 700A Wilmeth Rd., McKinney, TX 75069

Supplier Notes: _____

18 1 each Section I: Prefabricated Signs: ENTRANCE ONLY, 24 in. x 24 in.

\$ _____
(Required)
Unit Price

Ship To: 700A Wilmeth Rd., McKinney, TX 75069

Supplier Notes: _____

19 1 each Section I: Prefabricated Signs: S.D.H.P.T., 36 in. x 36 in.

\$ _____
(Required)
Unit Price

Ship To: 700A Wilmeth Rd., McKinney, TX 75069

Supplier Notes: _____

20 1 each Section I: Prefabricated Signs: S.D.H.P.T., 24 in. x 12 in.

\$ _____
(Required)
Unit Price

Ship To: 700A Wilmeth Rd., McKinney, TX 75069

Supplier Notes: _____

21 1 each Section I: Prefabricated Signs: S.D.H.P.T., 30 in. x 24 in. \$ _____
(Required)
Unit Price

Ship To: 700A Wilmeth Rd., McKinney, TX 75069

Supplier Notes: _____

22 1 Percentage off on any items required by Collin County not specifically addressed in Section I _____%
(Optional)
Percentage

Supplier Notes: _____

23 1 each Section II: Special Signs: NO DUMPING - BY ORDER OF COMMISSIONERS' COURT, 18 in. x 24 in. \$ _____
(Required)
Unit Price

Ship To: 700A Wilmeth Rd., McKinney, TX 75069

Supplier Notes: _____

24 1 each Section II: Special Signs: COLLIN COUNTY MAINTENANCE SIGNS - 30 in. x 24 in. \$ _____
(Required)
Unit Price

Ship To: 700A Wilmeth Rd., McKinney, TX 75069

Supplier Notes: _____

25 1 each Section II: Special Signs: HANDICAPPED PARKING SIGNS, 12 in. x 18 in. \$ _____
(Required)
Unit Price

Ship To: 700A Wilmeth Rd., McKinney, TX 75069

Supplier Notes: _____

26 1 each Section II: Special Signs: HANDICAPPED PARKING SIGNS, 18 in. x 24 in. \$ _____
(Required)
Unit Price

Ship To: 700A Wilmeth Rd., McKinney, TX 75069

Supplier Notes: _____

27 1 Percentage off on any items required by Collin County not specifically addressed in Section II _____%
(Optional)
Percentage

Supplier Notes: _____

28 1 each Section III: Sign Faces: S.D.H.P.T., 30 in. x 30 in. \$ _____
(Required)
Unit Price

Ship To: 700A Wilmeth Rd., McKinney, TX 75069

Supplier Notes: _____

29 1 each Section III: Sign Faces: S.D.H.P.T., 24 in. x 48 in. \$ _____
(Required)
Unit Price

Ship To: 700A Wilmeth Rd., McKinney, TX 75069

Supplier Notes: _____

30 1 each Section III: Sign Faces: S.D.H.P.T., 18 in. x 24 in. \$ _____
(Required)
Unit Price

Supplier Notes: _____

31 1 each Section III: Sign Faces: S.D.H.P.T., 18 in. x 18 in.

\$ _____
(Required)
Unit Price

Ship To: 700A Wilmeth Rd., McKinney, TX 75069

Supplier Notes: _____

32 1 each Section III: Sign Faces: BLACK BORDER, 30 in. x 30 in. (Blank Face)

\$ _____
(Required)
Unit Price

Ship To: 700A Wilmeth Rd., McKinney, TX 75069

Supplier Notes: _____

33 1 each Section III: Sign Faces: ENGINEER GRADE SIGN FACES, 30 in. x 30 in.

\$ _____
(Required)
Unit Price

Ship To: 700A Wilmeth Rd., McKinney, TX 75069

Supplier Notes: _____

34 1 each Section III: Sign Faces: ENGINEER GRADE SIGN FACES EQUAL, 24 in. x 30 in.

\$ _____
(Required)
Unit Price

Ship To: 700A Wilmeth Rd., McKinney, TX 75069

Supplier Notes: _____

35 1 Percentage off on any items required by Collin County not specifically addressed in Section III

_____ %
(Optional)
Percentage

Supplier Notes: _____

36 1 each Section IV: Anodized Aluminum Blanks: 18 in. x 18 in.

\$ _____
(Required)
Unit Price

Ship To: 700A Wilmeth Rd., McKinney, TX 75069

Supplier Notes: _____

37 1 each Section IV: Anodized Aluminum Blanks: 24 in. x 24 in.

\$ _____
(Required)
Unit Price

Ship To: 700A Wilmeth Rd., McKinney, TX 75069

Supplier Notes: _____

38 1 each Section IV: Anodized Aluminum Blanks: 30 in. x 30 in.

\$ _____
(Required)
Unit Price

Ship To: 700A Wilmeth Rd., McKinney, TX 75069

Supplier Notes: _____

39 1 each Section IV: Anodized Aluminum Blanks: 12 in. x 18 in.

\$ _____
(Required)
Unit Price

Ship To: 700A Wilmeth Rd., McKinney, TX 75069

Supplier Notes: _____

40 1 each Section IV: Anodized Aluminum Blanks: 18 in. x 24 in.

\$ _____
(Required)
Unit Price

Ship To: 700A Wilmeth Rd., McKinney, TX 75069

Supplier Notes: _____

41 1 each Section IV: Anodized Aluminum Blanks: 24 in. x 30 in.

\$ _____
(Required)
Unit Price

Ship To: 700A Wilmeth Rd., McKinney, TX 75069

Supplier Notes: _____

42 1 each Section IV: Anodized Aluminum Blanks: 24 in. x 36 in.

\$ _____
(Required)
Unit Price

Ship To: 700A Wilmeth Rd., McKinney, TX 75069

Supplier Notes: _____

43 1 each Section IV: Anodized Aluminum Blanks: 24 in. x 48 in.

\$ _____
(Required)
Unit Price

Ship To: 700A Wilmeth Rd., McKinney, TX 75069

Supplier Notes: _____

44 1 each Section IV: Anodized Aluminum Blanks: 30 in. x 36 in.

\$ _____
(Required)
Unit Price

Ship To: 700A Wilmeth Rd., McKinney, TX 75069

Supplier Notes: _____

45 1 each Section IV: Anodized Aluminum Blanks: 30 in. x 48 in.

\$ _____
(Required)
Unit Price

Ship To: 700A Wilmeth Rd., McKinney, TX 75069

Supplier Notes: _____

46 1 each Section IV: Anodized Aluminum Blanks: 36" x 36" \$ _____
(Required)
Unit Price

Ship To: 700A Wilmeth Rd., McKinney, TX 75069

Supplier Notes: _____

47 1 each Section IV: Anodized Aluminum Blanks: EXTRUDED BLANKS, 9" x 30" \$ _____
(Required)
Unit Price

Ship To: 700A Wilmeth Rd., McKinney, TX 75069

Supplier Notes: _____

48 1 each Section IV: Anodized Aluminum Blanks: EXTRUDED BLANKS, 9" x 36" \$ _____
(Required)
Unit Price

Ship To: 700A Wilmeth Rd., McKinney, TX 75069

Supplier Notes: _____

49 1 Percentage off on any items required by Collin County not specifically addressed in Section IV _____%
(Optional)
Percentage

Supplier Notes: _____

50 1 each Section V: Vertical Road markers, CARSONITE SIGN POSTS or approved equal \$ _____
(Required)
Unit Price

Ship To: 700A Wilmeth Rd., McKinney, TX 75069

Supplier Notes: _____

51 1 Percentage off on any items required by Collin County not specifically addressed in Section V _____%
(Optional)
Percentage

Supplier Notes: _____

52 1 each Section VI: Vertical Recreational Markers/Signs: RECREATIONAL MARKER \$ _____
(Required)
Unit Price

Ship To: 700A Wilmeth Rd., McKinney, TX 75069

Supplier Notes: _____

53 1 each Section VI: Vertical Recreational Markers/Signs: CARSONITE SIGN POSTS or Approved Equal \$ _____
(Required)
Unit Price

Ship To: 700A Wilmeth Rd., McKinney, TX 75069

Supplier Notes: _____

54 1 each Section VI: Vertical Recreational Markers/Signs: CUSTOM SIGNS, 8 in. x 8 in. \$ _____
(Required)
Unit Price

Ship To: 700A Wilmeth Rd., McKinney, TX 75069

Supplier Notes: _____

55 1 each Section VI: Vertical Recreational Markers/Signs: CUSTOM SIGN, 18 in. x 24 in. \$ _____
(Required)
Unit Price

Ship To: 700A Wilmeth Rd., McKinney, TX 75069

Supplier Notes: _____

56 1 each Section VI: Vertical Recreational Markers /Signs: CUSTOM SIGN, 12 in. x 18 inc. \$ _____
(Required)
Unit Price

Ship To: 700A Wilmeth Rd., McKinney, TX 75069

Supplier Notes: _____

57 1 each Section VI: Vertical Recreational Markers/Signs: FEDERAL RECREATIONAL SYMBOL SIGN, 8 in. x 8 in. \$ _____
(Required)
Unit Price

Ship To: 700A Wilmeth Rd., McKinney, TX 75069

Supplier Notes: _____

58 1 each Section VI: Vertical Recreational Markers/Signs: CUSTOM SIGN with 7 ft. Post 8 in. x 8 in. \$ _____
(Required)
Unit Price

Ship To: 700A Wilmeth Rd., McKinney, TX 75069

Supplier Notes: _____

59 1 each Section VI: Vertical Recreational Markers/Signs: CUSTOM SIGN with 7ft Post; 12 in. x 18 in. \$ _____
(Required)
Unit Price

Ship To: 700A Wilmeth Rd., McKinney, TX 75069

Supplier Notes: _____

60 1 each Section VI: Vertical Recreational Markers/Signs: CUSTOM SIGN with 7 ft. Post, 18 in. x 24 in. \$ _____
(Required)
Unit Price

Ship To: 700A Wilmeth Rd., McKinney, TX 75069

Supplier Notes: _____

61 1 each Section VI: Vertical Recreational Markers: Signs: FEDERAL RECREATION SYMBOL
sign with 7 ft Post 8 in. x 8 in. \$ _____
(Required)
Unit Price

Ship To: 700A Wilmeth Rd., McKinney, TX 75069

Supplier Notes: _____

62 1 each Section VI: Vertical Recreational Markers/Signs: FEDERAL RECREATION SYMBOL
DECAL \$ _____
(Required)
Unit Price

Ship To: 700A Wilmeth Rd., McKinney, TX 75069

Supplier Notes: _____

63 1 each Section VI: Vertical Recreational Markers/Signs: INDIVIDUAL LETTERS AND NUMBERS \$ _____
(Required)
Unit Price

Ship To: 700A Wilmeth Rd., McKinney, TX 75069

Supplier Notes: _____

64 1 Percentage off on any items required by Collin County not specifically addressed in
Section VI _____%
(Optional)
Percentage

Supplier Notes: _____

65 1 each Section VII: Flexible Delineators: Signs: LONG WHITE FLEXIBLE DELINEATOR POSTS,
3 in. wide x 48 in. long \$ _____
(Required)
Unit Price

Ship To: 700A Wilmeth Rd., McKinney, TX 75069

Supplier Notes: _____

66 1 Percentage off on any items required by Collin County not specifically addressed in Section VII _____%
(Optional)
Percentage

Supplier Notes: _____

67 1 each Section VIII: Reflective 9x30 County Road Sign Faces; COLLIN COUNTY ROAD SIGN FACES, 9 in. x 30 in. \$ _____
(Required)
Unit Price

Ship To: 700A Wilmeth Rd., McKinney, TX 75069

Supplier Notes: _____

68 1 each Section VIII: Reflective 9x30 County Road Signs Faces: COLLIN COUNTY ROAD SIGN FACES, 9 in. x 36 in. \$ _____
(Required)
Unit Price

Ship To: 700A Wilmeth Rd., McKinney, TX 75069

Supplier Notes: _____

69 1 Percentage off on any items required by Collin County not specifically addressed in Section VIII _____%
(Optional)
Percentage

Supplier Notes: _____

70 1 each Section IX: Barricades/Barricade Sheeting/Roll Stock: SIGNS, ROLLS of 8 in. x 50 in. yds of SUPER ENGINEERING GRADE \$ _____
(Required)
Unit Price

Ship To: 700A Wilmeth Rd., McKinney, TX 75069

Supplier Notes: _____

71 1 each Section IX: Barricades/Barricade Sheeting/Roll Stock: SIGNS, FOLDING BARRICADES,
SUPER ENGINEERING GRADE SHEETING, 37 in. x 36 in. \$ _____
(Required)
Unit Price

Ship To: 700A Wilmeth Rd., McKinney, TX 75069

Supplier Notes: _____

72 1 each Section IX: Barricades/Barricade Sheeting/Roll Stock: SIGNS, BARRICADE SHEETING,
Rolls of 8 in. x 8 in. of SUPER ENGINEERING GRADE \$ _____
(Required)
Unit Price

Ship To: 700A Wilmeth Rd., McKinney, TX 75069

Supplier Notes: _____

73 1 each Section IX: Barricades/Barricade Sheeting/Roll Stock: SIGNS, BARRICADE SHEETING:
Rolls of 30 in. x 50 in. Yds of SUPER ENGINEERING GRADE \$ _____
(Required)
Unit Price

Ship To: 700A Wilmeth Rd., McKinney, TX 75069

Supplier Notes: _____

74 1 each Section IX: Barricades/Barricade Sheeting/Roll Stock: SIGNS, BARRICADE SHEETING:
Rolls of 6 in. x 50 in. yds of SUPER ENGINEERING GRADE \$ _____
(Required)
Unit Price

Ship To: 700A Wilmeth Rd., McKinney, TX 75069

Supplier Notes: _____

75 1 each Section IX: Barricades/Barricade Sheeting/Roll Stock: SIGNS, BARRICADE SHEETING:
Rolls of 6 in. x 50 in. yds of SUPER ENGINEERING GRADE \$ _____
(Required)
Unit Price

Ship To: 700A Wilmeth Rd., McKinney, TX 75069

Supplier Notes: _____

76 1 Percentage off on any items required by Collin County not specifically addressed in Section IX _____%
(Optional)
Percentage

Supplier Notes: _____

77 1 each Section X: Sign Installation Tools, Hardware and Posts: SIGNS, ALLEN WRENCH WITH HANDLE, #73 3/16 \$ _____
(Required)
Unit Price

Ship To: 700A Wilmeth Rd., McKinney, TX 75069

Supplier Notes: _____

78 1 each Section X: Sign Installation Tools, Hardware and Posts: SIGNS, VANDAL PROOF BOLT TOOLS, #43 \$ _____
(Required)
Unit Price

Ship To: 700A Wilmeth Rd., McKinney, TX 75069

Supplier Notes: _____

79 1 each Section X: Sign Installation Tools, Hardware and Posts: SIGNS, TOOL for 3/6 Hole and 5/16 Diameter SET SCREW #BH4 \$ _____
(Required)
Unit Price

Ship To: 700A Wilmeth Rd., McKinney, TX 75069

Supplier Notes: _____

80 1 each Section X: Sign Installation Tools, Hardware and Posts: SIGNS, DRIVE CAP FOR CHANNEL POSTS \$ _____
(Required)
Unit Price

Ship To: 700A Wilmeth Rd., McKinney, TX 75069

Supplier Notes: _____

81 1 each Section X: Sign Installation Tools, Hardware and Posts: SIGNS, ALUMINUM POSTS
\$ _____
(Required)
Unit Price

Ship To: 700A Wilmeth Rd., McKinney, TX 75069

Supplier Notes: _____

82 1 each Section X: Sign Installation Tools, Hardware and Posts: SIGNS, ALUMINUM ALLOY
TAMPER PROOF NUTS 2011-T3
\$ _____
(Required)
Unit Price

Ship To: 700A Wilmeth Rd., McKinney, TX 75069

Supplier Notes: _____

83 1 each Section X: Sign Installation Tools, Hardware and Posts: SIGNS, HEX HED FLANGED
BOLTS, 5/16 Diameter x 1 3/4
\$ _____
(Required)
Unit Price

Ship To: 700A Wilmeth Rd., McKinney, TX 75069

Supplier Notes: _____

84 1 each Section X: Sign Installation Tools, Hardware and Posts: SIGNS, I.D. HEX HEAD
FLANGED NUTS, 5/16 Diameter
\$ _____
(Required)
Unit Price

Ship To: 700A Wilmeth Rd., McKinney, TX 75069

Supplier Notes: _____

85 1 each Section X: Sign Installation Tools, Hardware and Posts: SIGNS, LOCK WASHERS, 5/16
Diameter I.D.
\$ _____
(Required)
Unit Price

Ship To: 700A Wilmeth Rd., McKinney, TX 75069

Supplier Notes: _____

86 1 each section X: Sign Installation Tools, Hardware and Posts: SIGNS, U-CHANNEL TUFNUT,
5/16 I.D. \$ _____
(Required)
Unit Price

Ship To: 700A Wilmeth Rd., McKinney, TX 75069

Supplier Notes: _____

87 1 each Section X: Sign Installation Tools, Hardware and Posts: SIGNS, TUFBOLT, 5/16 I.D., 2
1/2 Long \$ _____
(Required)
Unit Price

Ship To: 700A Wilmeth Rd., McKinney, TX 75069

Supplier Notes: _____

88 1 each Section X: Sign Installation Tools, Hardware and Posts: SIGNS, TUFBOLT, 5/16 O.D., 3
Long \$ _____
(Required)
Unit Price

Ship To: 700A Wilmeth Rd., McKinney, TX 75069

Supplier Notes: _____

89 1 each Section X: Sign Installation Tools, Hardware and Posts: SIGNS, TUFBOLT, 5/16 I.D.
Nylon \$ _____
(Required)
Unit Price

Ship To: 700A Wilmeth Rd., McKinney, TX 75069

Supplier Notes: _____

90 1 each Section X: Sign Installation Tools, Hardware and Posts: SIGNS, GALVANIZED BOLTS
\$ _____
(Required)
Unit Price

Ship To: 700A Wilmeth Rd., McKinney, TX 75069

Supplier Notes: _____

91 1 each Section X: Sign Installation Tools, Hardware and Posts: SIGNS, SIGN POST W/BASE POST
\$ _____
(Required)
Unit Price

Ship To: 700A Wilmeth Rd., McKinney, TX 75069

Supplier Notes: _____

92 1 each Section X: Sign Installation Tools, Hardware and Posts; SIGNS, SIGN POST W/BASE
\$ _____
(Required)
Unit Price

Ship To: 700A Wilmeth Rd., McKinney, TX 75069

Supplier Notes: _____

93 1 each Section X: Sign Installation Tools, Hardware and Posts; SIGN BRACKETS
\$ _____
(Required)
Unit Price

Ship To: 700A Wilmeth Rd., McKinney, TX 75069

Supplier Notes: _____

94 1 each Section X: Sign Installation Tools, Hardware and Posts; OPPOSITE SLOT BRACKETS
\$ _____
(Required)
Unit Price

Ship To: 700A Wilmeth Rd., McKinney, TX 75069

Supplier Notes: _____

95 1 each Section X: Sign Installation Tools, Hardware and Posts; SIGN CROSS BRACKETS
\$ _____
(Required)
Unit Price

Ship To: 700A Wilmeth Rd., McKinney, TX 75069

Supplier Notes: _____

96 1 each Section X: Sign Installation Tools, Hardware and Posts; SIGN POST BREAKOUT
COUPLERS

\$ _____
(Required)
Unit Price

Supplier Notes: _____

97 1 each Section X: Sign Installation Tools, Hardware and Posts; 2 in. SIGN POST- 2 in. SQUARE
14 GAUGE PRE-GALVANIZED

\$ _____
(Required)
Unit Price

Ship To: 700A Wilmeth Rd., McKinney, TX 75069

Supplier Notes: _____

98 1 each Section X: Sign Installation Tools, Hardware and Posts; OPTIONAL SLEEVE- 2 1/2 in.
SQUARE 12 GAUGE x 18 in. PRE-GALVANIZED

\$ _____
(Required)
Unit Price

Ship To: 700A Wilmeth Rd., McKinney, TX 75069

Supplier Notes: _____

99 1 each Section X: Sign Installation Tools, Hardware and Posts; HARDWARE, CORNER BOLT

\$ _____
(Required)
Unit Price

Ship To: 700A Wilmeth Rd., McKinney, TX 75069

Supplier Notes: _____

100 1 each Section X: Sign Installation Tools, Hardware and Posts; HARDWARE, VANDAL
RESISTANT DRIVE RIVET

\$ _____
(Required)
Unit Price

Ship To: 700A Wilmeth Rd., McKinney, TX 75069

Supplier Notes: _____

101 1 each Section X: Sign Installation Tools, Hardware and Posts; HARDWARE, MATE RIVETS \$ _____
(Required)
Unit Price

Ship To: 700A Wilmeth Rd., McKinney, TX 75069

Supplier Notes: _____

102 1 each Section X: Sign Installation Tools, Hardware and Posts: TRAFFIC CONE, 28 in. \$ _____
(Required)
Unit Price

Ship To: 700A Wilmeth Rd., McKinney, TX 75069

Supplier Notes: _____

103 1 Percentage off on any items required by Collin County not specifically addressed in Section X _____%
(Optional)
Percentage

Supplier Notes: _____

104 1 each Section XI: Polyethylene Signs: DANGER WORK AREA PROTECTION #13872 4 in. x 6 in. \$ _____
(Required)
Unit Price

Ship To: 700A Wilmeth Rd., McKinney, TX 75069

Supplier Notes: _____

105 1 each Section XI: Polyethylene Signs; DANGER HIGH VOLTAGE WORK AREA PROTECTION #13551 10 in. x 14 in. \$ _____
(Required)
Unit Price

Ship To: 700A Wilmeth Rd., McKinney, TX 75069

Supplier Notes: _____

106 1 Percentage off on any items required by Collin County not specifically addressed in Section XI _____%
(Optional)
Percentage

Supplier Notes: _____

107 1 each Section XII: Pavement Markers: Signs: REFLECTIVE PAVEMENT MARKERS, ONE WAY AMBER \$ _____
(Required)
Unit Price

Ship To: 700A Wilmeth Rd., McKinney, TX 75069

Supplier Notes: _____

108 1 each Section XII: Pavement Markers: REFLECTIVE PAVEMENT MARKERS, ONE WAY CLEAR \$ _____
(Required)
Unit Price

Ship To: 700A Wilmeth Rd., McKinney, TX 75069

Supplier Notes: _____

109 1 each Section XII: Pavement Markers: Signs: REFLECTIVE PAVEMENT MARKERS, TWO WAY AMBER \$ _____
(Required)
Unit Price

Ship To: 700A Wilmeth Rd., McKinney, TX 75069

Supplier Notes: _____

110 1 each Section XII: Pavement Markers: Signs: REFLECTIVE PAVEMENT MARKERS, RED AND CLEAR \$ _____
(Required)
Unit Price

Ship To: 700A Wilmeth Rd., McKinney, TX 75069

Supplier Notes: _____

111 1 each Section XII: Pavement Markers: Signs: REFLECTIVE PAVEMENT MARKERS, TWO
WAY BLUE

\$ _____
(Required)
Unit Price

Ship To: 700A Wilmeth Rd., McKinney, TX 75069

Supplier Notes: _____

112 1 each Section XII: Pavement Markers: Signs: NON-REFLECTIVE CERAMIC PAVEMENT
MARKERS, YELLOW

\$ _____
(Required)
Unit Price

Ship To: 700A Wilmeth Rd., McKinney, TX 75069

Supplier Notes: _____

113 1 each Section XII: Pavement Markers: Signs: NON-REFLECTIVE CERAMIC PAVEMENT
MARKERS, WHITE

\$ _____
(Required)
Unit Price

Ship To: 700A Wilmeth Rd., McKinney, TX 75069

Supplier Notes: _____

114 1 each Section XII: Pavement Markers: Signs: ONE WAY REFLECTIVE CERAMIC PAVEMENT
MARKERS, YELLOW

\$ _____
(Required)
Unit Price

Ship To: 700A Wilmeth Rd., McKinney, TX 75069

Supplier Notes: _____

115 1 each Section XII: Pavement Markers: Signs: ONE WAY REFLECTIVE CERAMIC PAVEMENT
MARKERS, WHITE

\$ _____
(Required)
Unit Price

Ship To: 700A Wilmeth Rd., McKinney, TX 75069

Supplier Notes: _____

116 1 each Section XII: Pavement Markers: Signs; DIMENSIONS of 6 in. SQUARE by 3/4 HEIGHT
(JIGGLE BAR) YELLOW

\$ _____
(Required)
Unit Price

Ship To: 700A Wilmeth Rd., McKinney, TX 75069

Supplier Notes: _____

117 1 each Section XII: Pavement Markers: Signs: EPOXY BASE REISEN, PAVEMENT MARKER
ADHESIVE, ONE GALLON CONTAINERS

\$ _____
(Required)
Unit Price

Ship To: 700A Wilmeth Rd., McKinney, TX 75069

Supplier Notes: _____

118 1 each Section XII: Pavement Markers: Signs: ACTIVATOR/CURLING AGENT. PAVEMENT
MARKER ADHESIVE, ONE GALLON CONTAINERS

\$ _____
(Required)
Unit Price

Ship To: 700A Wilmeth Rd., McKinney, TX 75069

Supplier Notes: _____

119 1 each Section XII: Pavement Markers: Signs: EPOXY BASE RESIN, 11 oz CARTRIDGE

\$ _____
(Required)
Unit Price

Ship To: 700A Wilmeth Rd., McKinney, TX 75069

Supplier Notes: _____

120 1 each Section XII: Pavement Markers: Signs: ACTIVATORY/CURLING AGENT, 11 oz
CARTRIDGE

\$ _____
(Required)
Unit Price

Ship To: 700A Wilmeth Rd., McKinney, TX 75069

Supplier Notes: _____

121 1 Percentage off on any items required by Collin County not specifically addressed in Section XII _____%
(Optional)
Percentage

Supplier Notes: _____

122 1 each Section XIII: Mail Box Posts and Mounting Hardware: SINGLE MOUNTED MAIL BOXES, MAILBOX POSTS AND MOUNTING HARDWARE \$ _____
(Required)
Unit Price

Ship To: 700A Wilmeth Rd., McKinney, TX 75069

Supplier Notes: _____

123 1 each Section XIII: Mail Box Posts and Mounting Hardware: DOUBLE MOUNTED MAILBOXES, MAILBOX POSTS AND MOUNTING HARDWARE \$ _____
(Required)
Unit Price

Ship To: 700A Wilmeth Rd., McKinney, TX 75069

Supplier Notes: _____

124 1 each Section XIII: Mailbox Posts and Mounting Hardware: MULTIPLE MOUNTED MAILBOXES, MAILBOX POSTS AND MOUNTING HARDWARE \$ _____
(Required)
Unit Price

Ship To: 700A Wilmeth Rd., McKinney, TX 75069

Supplier Notes: _____

125 1 Percentage off on any items required by Collin County not specifically addressed in Section XIII _____%
(Optional)
Percentage

Supplier Notes: _____

126 1

Percentage off any items required by Collin County that are not specifically addressed in any of the Sections within this bid.

_____%
(Optional)
Percentage

Supplier Notes:

1.0 GENERAL INSTRUCTIONS

1.0.1 Definitions

1.0.1.1 Bidder: refers to submitter.

1.0.1.2 Vendor/Contractor/Provider: refers to a Successful Bidder/Contractor/Service Provider.

1.0.1.3 Submittal: refers to those documents required to be submitted to Collin County, by a Bidder.

1.0.1.4 IFB: refers to Invitation For Bid.

1.1 If Bidder does not wish to submit an offer at this time, please submit a No Bid.

1.2 Awards shall be made not more than ninety (90) days after the time set for opening of submittals.

1.3 Collin County is always conscious and extremely appreciative of your time and effort in preparing your submittal.

1.4 Collin County exclusively uses ionWave Technologies, Inc. (Collin County eBid) for the notification and dissemination of all solicitations. The receipt of solicitations through any other company may result in your receipt of incomplete specifications and/or addendums which could ultimately render your bid non-compliant. Collin County accepts no responsibility for the receipt and/or notification of solicitations through any other company.

1.5 A bid may not be withdrawn or canceled by the bidder prior to the ninety-first (91st) day following public opening of submittals and only prior to award.

1.6 It is understood that Collin County, Texas reserves the right to accept or reject any and/or all Bids for any or all products and/or services covered in an Invitation For Bid (IFB), and to waive informalities or defects in submittals or to accept such submittals as it shall deem to be in the best interest of Collin County.

1.7 All IFB's submitted in hard copy paper form shall be submitted in a sealed envelope, plainly marked on the outside with the IFB number and name. A hard copy paper form submittal shall be manually signed in ink by a person having the authority to bind the firm in a contract. Submittals shall be mailed or hand delivered to the Collin County Purchasing Department.

1.8 No oral, telegraphic or telephonic submittals will be accepted. IFB's may be submitted in electronic format via Collin County eBid.

1.9 All Invitation For Bids (IFB) submitted electronically via Collin County eBid shall remain locked until official date and time of opening as stated in the Special Terms and Conditions of the IFB.

1.10 Time/date stamp clock in Collin County Purchasing Department shall be the official time of receipt for all Invitation for Bids (IFB) submitted in hard copy paper form. IFB's received in the Collin County Purchasing Department after submission deadline shall be considered void and unacceptable. Absolutely no late submittals will be considered. Collin County accepts no responsibility for technical difficulties related to electronic submittals.

1.11 For hard copy paper form submittals, any alterations made prior to opening date and time must be initialed by the signer of the IFB guaranteeing authenticity. Submittals cannot be altered or amended after submission deadline.

1.12 Collin County is by statute exempt from the State Sales Tax and Federal Excise Tax; therefore, the prices submitted shall not include taxes.

1.13 Any interpretations, corrections and/or changes to an Invitation For Bid, and related Specifications or extensions to the opening/receipt date will be made by addenda to the respective document by the Collin County Purchasing Department. Questions and/or clarification requests must be submitted no later than seven (7) days prior to the opening/receipt date. Those received at a later date may not be addressed prior to the public opening. Sole authority to authorize addenda shall be vested in Collin County Purchasing Agent as entrusted by the Collin County Commissioners' Court. Addenda may be transmitted electronically via Collin County eBid.

1.13.1 Addenda will be transmitted to all that are known to have received a copy of the IFB/RFQ/RFP/RFI/CSP and related Specifications. However, it shall be the sole responsibility of the Bidder/Quoter/Offeror to verify issuance/non-issuance of addenda and to check all avenues of document availability (i.e. **Collin County eBid** <https://collincountytexas.com>, telephoning Purchasing Department directly, etc.) prior to opening/receipt date and time to insure Bidder/Quoter/Offeror's receipt of any addenda issued. Bidder/Quoter/Offeror shall acknowledge receipt of all addenda.

1.14 All materials and services shall be subject to Collin County approval.

1.15 Collin County reserves the right to make award in whole or in part as it deems to be in the best interest of the County.

1.16 Any reference to model/make and/or manufacturer used in specifications is for descriptive purposes only. Products/materials of like quality will be considered.

1.17 Bidders taking exception to the specifications shall do so at their own risk. By offering substitutions, Bidder shall state these exceptions in the section provided in the IFB or by attachment. Exception/substitution, if accepted, must meet or exceed specifications stated therein. Collin County reserves the right to accept or reject any and/or all of the exception(s)/substitution(s) deemed to be in the best interest of the County.

1.19 Minimum Standards for Responsible Prospective Bidders: A prospective Bidder must meet the following minimum requirements:

1.19.1 have adequate financial resources, or the ability to obtain such resources as required;

1.19.2 be able to comply with the required or proposed delivery/completion schedule;

1.19.3 have a satisfactory record of performance;

1.19.4 have a satisfactory record of integrity and ethics;

1.19.5 be otherwise qualified and eligible to receive an award.

Collin County may request documentation and other information sufficient to determine Bidder's ability to meet these minimum standards listed above.

1.20 Vendor shall bear any/all costs associated with it's preparation of an IFB.

1.21 Public Information Act: Collin County is governed by the Texas Public Information Act, Chapter 552 of the Texas Government Code. All information submitted by prospective bidders during the bidding process is subject to release under the Act.

1.22 The Bidder shall comply with Commissioners' Court Order No. 2004-167-03-11, County Logo Policy.

1.23 Interlocal Agreement: Successful bidder agrees to extend prices and terms to all entities that has entered into or will enter into joint purchasing interlocal cooperation agreements with Collin County.

1.24 Bid Openings: All bids submitted will be read at the county's regularly scheduled bid opening for the designated project. However, the reading of a bid at bid opening should be not construed as a comment on the responsiveness of such bid or as any indication that the county accepts such bid as responsive.

The county will make a determination as to the responsiveness of bids submitted based upon compliance with all applicable laws, Collin County Purchasing Guidelines, and project documents, including but not limited to the project specifications and contract documents. The county will notify the successful bidder upon award of the contract and, according to state law; all bids received will be available for inspection at that time.

2.0 TERMS OF CONTRACT

2.1 A bid, when properly accepted by Collin County, shall constitute a contract equally binding between the Vendor/Contractor/Provider and Collin County. No different or additional terms will become part of this contract with the exception of a Change Order.

2.2 No oral statement of any person shall modify or otherwise change, or affect the terms, conditions or specifications stated in the resulting contract. All Amendments and/or Change Orders to the contract will be made in writing by Collin County Purchasing Agent.

2.3 No public official shall have interest in the contract, in accordance with Vernon's Texas Codes Annotated, Local Government Code Title 5, Subtitle C, Chapter 171.

2.4 The Vendor/Contractor/Provider shall comply with Commissioners' Court Order No. 96-680-10-28, Establishment of Guidelines & Restrictions Regarding the Acceptance of Gifts by County Officials & County Employees.

2.5 Design, strength, quality of materials and workmanship must conform to the highest standards of manufacturing and engineering practice.

2.6 Bids must comply with all federal, state, county and local laws concerning the type(s) of product(s)/service(s)/equipment/project(s) contracted for, and the fulfillment of all ADA (Americans with Disabilities Act) requirements.

2.7 All products must be new and unused, unless otherwise specified, in first-class condition and of current manufacture. Obsolete products, including products or any parts not compatible with existing hardware/software configurations will not be accepted.

2.8 Vendor/Contractor/Provider shall provide any and all notices as may be required under the Drug-Free Work Place Act of 1988, 28 CFR Part 67, Subpart F, to its employees and all sub-contractors to insure that Collin County maintains a drug-free work place.

2.9 Vendor/Contractor/Provider shall defend, indemnify and save harmless Collin County and all its officers, agents and employees and all entities, their officers, agents and employees who are participating in this contract from all suits, claims, actions, damages (including personal injury and or property damages), or demands of any character, name and description, (including attorneys' fees, expenses and other defense costs of any nature) brought for or on account of any injuries or damages received or sustained by any person, persons, or property on account of Vendor/Contractor/Provider's breach of the contract arising from an award, and/or any negligent act, error, omission or fault of the Vendor/Contractor/Provider, or of any agent, employee, subcontractor or supplier of Vendor/Contractor/Provider in the execution of, or performance under, any contract which may result from an award. Vendor/Contractor/Provider shall pay in full any judgment with costs, including attorneys' fees and expenses which are rendered against Collin County and/or participating entities arising out of such breach, act, error, omission and/or fault.

2.10 Expenses for Enforcement. In the event either Party hereto is required to employ an attorney to enforce the provisions of this Agreement or is required to commence legal proceedings to enforce the provisions hereof, the prevailing Party shall be entitled to recover from the other, reasonable attorney's fees and court costs incurred in connection with such enforcement, including collection.

2.11 If a contract, resulting from a Collin County IFB is for the execution of a public work, the following shall apply:

2.11.1 In accordance with V.T.C.A. 2253.021, a governmental agency that makes a public work contract with a prime contractor shall require the contractor, before beginning work, to execute to the governmental entity a Payment Bond if the contract is in excess of \$25,000.00. Such bond shall

be in the amount of the contract payable to the governmental entity and must be executed by a corporate surety in accordance with Section 1, Chapter 87, Acts of the 56th Legislature, Regular Session, 1959 (Article 7.19-1 Vernon's Texas Insurance Code).

2.11.2 In accordance with V.T.C.A. 2253.021, a governmental agency that makes a public work contract with a prime contractor shall require the contractor, before beginning work, to execute to the governmental entity a Performance Bond if the contract is in excess of \$100,000.00. Such bond shall be in the amount of the contract payable to the governmental entity and must be executed by a corporate surety in accordance with Section 1, Chapter 87, Acts of the 56th Legislature, Regular Session, 1959 (Article 7.19-1 Vernon's Texas Insurance Code).

2.12 Purchase Order(s) shall be generated by Collin County to the vendor. Collin County will not be responsible for any orders placed/delivered without a valid purchase order number.

2.13 The contract shall remain in effect until any of the following occurs: delivery of product(s) and/or completion and acceptance by Collin County of product(s) and/or service(s), contract expires or is terminated by either party with thirty (30) days written notice prior to cancellation and notice must state therein the reasons for such cancellation. Collin County reserves the right to terminate the contract immediately in the event the Vendor/Contractor/Provider fails to meet delivery or completion schedules, or otherwise perform in accordance with the specifications. Breach of contract or default authorizes the County to purchase elsewhere and charge the full increase in cost and handling to the defaulting Vendor/Contractor/Provider.

2.14 Collin County Purchasing Department shall serve as Contract Administrator or shall supervise agents designated by Collin County.

2.15 All delivery and freight charges (FOB Inside delivery at Collin County designated locations) are to be included as part of the bid price. All components required to render the item complete, installed and operational shall be included in the total bid price. Collin County will pay no additional freight/delivery/installation/setup fees.

2.16 Vendor/Contractor/Provider shall notify the Purchasing Department immediately if delivery/completion schedule cannot be met. If delay is foreseen, the Vendor/Contractor/Provider shall give written notice to the Purchasing Agent. The County has the right to extend delivery/completion time if reason appears valid.

2.17 The title and risk of loss of the product(s) shall not pass to Collin County until Collin County actually receives and takes possession of the product(s) at the point or points of delivery. Collin County shall generate a purchase order(s) to the Vendor/Contractor/Provider and the purchase order number must appear on all itemized invoices.

2.18 Invoices shall be mailed directly to the Collin County Auditor's Office, 2300 Bloomdale Road, Suite 3100, McKinney, Texas 75071. All invoices shall show:

2.18.1 Collin County Purchase Order Number;

2.18.2 Vendor's/Contractor's/Provider's Name, Address and Tax Identification Number;

2.18.3 Detailed breakdown of all charges for the product(s) and/or service(s) including applicable time frames.

2.19 Payment will be made in accordance with V.T.C.A., Government Code, Title 10, Subtitle F, Chapter 2251.

2.20 All warranties shall be stated as required in the Uniform Commercial Code.

2.21 The Vendor/Contractor/Provider and Collin County agree that both parties have all rights, duties, and remedies available as stated in the Uniform Commercial Code.

- 2.22 The Vendor/Contractor/Provider agree to protect Collin County from any claims involving infringements of patents and/or copyrights.
- 2.23 The contract will be governed by the laws of the State of Texas. Should any portion of the contract be in conflict with the laws of the State of Texas, the State laws shall invalidate only that portion. The remaining portion of the contract shall remain in effect. The contract is performable in Collin County, Texas.
- 2.24 The Vendor/Contractor/Provider shall not sell, assign, transfer or convey the contract, in whole or in part, without the prior written approval from Collin County.
- 2.25 The apparent silence of any part of the specification as to any detail or to the apparent omission from it of a detailed description concerning any point, shall be regarded as meaning that only the best commercial practices are to prevail. All interpretations of the specification shall be made on the basis of this statement.
- 2.26 Vendor/Contractor/Provider shall not fraudulently advertise, publish or otherwise make reference to the existence of a contract between Collin County and Vendor/Contractor/Provider for purposes of solicitation. As exception, Vendor/Contractor/Provider may refer to Collin County as an evaluating reference for purposes of establishing a contract with other entities.
- 2.27 The Vendor/Contractor/Provider understands, acknowledges and agrees that if the Vendor/Contractor/Provider subcontracts with a third party for services and/or material, the primary Vendor/Contractor/Provider (awardee) accepts responsibility for full and prompt payment to the third party. Any dispute between the primary Vendor/Contractor/Provider and the third party, including any payment dispute, will be promptly remedied by the primary vendor. Failure to promptly render a remedy or to make prompt payment to the third party (subcontractor) may result in the withholding of funds from the primary Vendor/Contractor/Provider by Collin County for any payments owed to the third party.
- 2.28 Vendor/Contractor/Provider shall provide Collin County with diagnostic access tools at no additional cost to Collin County, for all Electrical and Mechanical systems, components, etc., procured through this contract.
- 2.29 Criminal History Background Check: If required, ALL individuals may be subject to a criminal history background check performed by the Collin County Homeland Security prior to access being granted to Collin County. Upon request, Vendor/Contractor/Provider shall provide list of individuals to Collin County Purchasing Department within five (5) working days.
- 2.30 Non-Disclosure Agreement: Where applicable, vendor shall be required to sign a non-disclosure agreement acknowledging that all information to be furnished is in all respects confidential in nature, other than information which is in the public domain through other means and that any disclosure or use of same by vendor, except as provided in the contract/agreement, may cause serious harm or damage to Collin County. Therefore, Vendor agrees that Vendor will not use the information furnished for any purpose other than that stated in contract/agreement, and agrees that Vendor will not either directly or indirectly by agent, employee, or representative disclose this information, either in whole or in part, to any third party, except on a need to know basis for the purpose of evaluating any possible transaction. This agreement shall be binding upon Collin County and Vendor, and upon the directors, officers, employees and agents of each.
- 2.31 Vendors/Contractors/Providers must be in compliance with the Immigration and Reform Act of 1986 and all employees specific to this solicitation must be legally eligible to work in the United States of America.
- 2.32 Certification of Eligibility: This provision applies if the anticipated Contract exceeds \$100,000.00 and as it relates to the expenditure of federal grant funds. By submitting a bid or proposal in response to this solicitation, the Bidder certifies that at the time of submission, he/she is not on the Federal Government's list of suspended, ineligible, or debarred contractors. In the event of placement on the list between the time of bid/proposal submission and time of award, the Bidder will notify the Collin County Purchasing Agent. Failure to do so may result in terminating this contract for default.

2.33 Notice to Vendors/Contractors/Providers delivering goods or performing services within the Collin County Detention Facility: The Collin County Detention Facility houses persons who have been charged with and/or convicted of serious criminal offenses. When entering the Detention Facility, you could: (1) hear obscene or graphic language; (2) view partially clothed male inmates; (3) be subjected to verbal abuse or taunting; (4) risk physical altercations or physical contact, which could be minimal or possibly serious; (5) be exposed to communicable or infectious diseases; (6) be temporarily detained or prevented from immediately leaving the Detention Facility in the case of an emergency or “lockdown”; and (7) subjected to a search of your person or property. While the Collin County Sheriff’s Office takes every reasonable precaution to protect the safety of visitors to the Detention Facility, because of the inherently dangerous nature of a Detention Facility and the type of the persons incarcerated therein, please be advised of the possibility of such situations exist and you should carefully consider such risks when entering the Detention Facility. By entering the Collin County Detention Facility, you acknowledge that you are aware of such potential risks and willingly and knowingly choose to enter the Collin County Detention Facility.

2.34 Delays and Extensions of Time when applicable:

2.34.1 If the Vendor/Contractor/Provider is delayed at any time in the commence or progress of the Work by an act or neglect of the Owner or Architect/Engineer, or of an employee of either, or of a separate contractor employed by the Owner, or by changes ordered in the Work, or by labor disputes, fire, unusual delay in deliveries, unavoidable casualties or other causes beyond the Vendor/Contractor/Provider's control, or by delay authorized by the Owner pending mediation and arbitration, or by other causes which the Owner or Architect/Engineer determines may justify delay, then the Contract Time shall be extended by Change Order for such reasonable time as the Owner/Architect may determine.

2.34.2 If adverse weather conditions are the basis for a Claim for additional time, such Claim shall be documented by data substantiating that weather conditions were abnormal for the period of time and could not have been reasonably anticipated, and that the weather conditions had an adverse effect on the scheduled construction.

2.35 Disclosure of Certain Relationships: Chapter 176 of the Texas Local Government Code requires that any vendor considering doing business with a local government entity disclose the vendor’s affiliation or business relationship that might cause a conflict of interest with a local government entity. Subchapter 6 of the code requires a vendor to file a conflict of interest questionnaire (CIQ) if a conflict exists. By law this questionnaire must be filed with the records administrator of Collin County no later than the 7th business day after the date the vendor becomes aware of an event that requires the statement to be filed. A vendor commits an offense if the vendor knowingly violates the code. An offense under this section is a misdemeanor. By submitting a response to this request, the vendor represents that it is in compliance with the requirements of Chapter 176 of the Texas Local Government Code. Please send completed forms to the Collin County County Clerk's Office located at 2300 Bloomdale Rd., Suite 2104, McKinney, TX 75071.

2.36 Disclosure of Interested Parties: Section 2252.908 of the Texas Government Code requires a business entity entering into certain contracts with a governmental entity to file with the governmental entity a disclosure of interested parties at the time the business entity submits the signed contract to the governmental entity. Section 2252.908 requires the disclosure form (Form 1295) to be signed by the authorized agent of the contracting business entity, acknowledging that the disclosure is made under oath and under penalty of perjury. Section 2252.908 applies only to a contract that requires an action or vote by the governing body of the governmental entity before the contract may be signed or has a value of at least \$1 million. Section 2252.908 provides definitions of certain terms occurring in the section. Section 2252.908 applies only to a contract entered into on or after January 1, 2016.

NOTE: All other terms and conditions (i.e. Insurance Requirements, Bond Requirements, etc.) shall be stated in the individual IFB Solicitation documents as Special Terms, Conditions and Specifications.

3.0 INSURANCE REQUIREMENTS

3.1 Before commencing work, the vendor shall be required, at its own expense, to furnish the Collin County Purchasing Agent with certified copies of all insurance certificate(s) indicating the coverage to remain in force throughout the term of this contract.

3.1.1 **Commercial General Liability** insurance including but not limited to the coverage indicated below. Coverage shall not exclude or limit Products/Completed Operations, Contractual Liability, or Cross Liability. Coverage must be written on occurrence form.

- Each Occurrence: \$1,000,000
- Personal Injury & Adv. Injury: \$1,000,000
- Products/Completed Operation Aggregate: \$2,000,000
- General Aggregate: \$2,000,000

3.1.2 **Workers Compensation** insurance as required by the laws of Texas, and Employers' Liability.

Employers' Liability

- Liability, Each Accident: \$500,000
- Disease-Each Employee: \$500,000
- Disease – Policy Limit: \$500,000

3.1.3 **Commercial Automobile Liability** insurance which includes any automobile (owned, non-owned, and hired vehicles) used in connection with the contract.

- Combined Single Limit – Each Accident: \$1,000,000

3.2 With reference to the foregoing insurance requirement, the vendor shall endorse applicable insurance policies as follows:

3.2.1 A waiver of subrogation in favor of Collin County, its officials, employees, volunteers and officers shall be provided for General Liability, Commercial Automobile Liability, and Workers' Compensation.

3.2.2 The vendor's insurance coverage shall name Collin County as additional insured under the General Liability policy.

3.2.3 All insurance policies shall be endorsed to require the insurer to immediately notify Collin County of any decrease in the insurance coverage limits.

3.2.4 All insurance policies shall be endorsed to the effect that Collin County will receive at least thirty (30) days notice prior to cancellation, non-renewal or termination of the policy.

3.2.5 All copies of Certificates of Insurance shall reference the project/contract number.

3.3 All insurance shall be purchased from an insurance company that meets the following requirements:

3.3.1 A financial rating of A-VII or higher as assigned by the BEST Rating Company or equivalent.

3.4 Certificates of Insurance shall be prepared and executed by the insurance company or its authorized agent, and shall contain provisions representing and warranting the following:

3.4.1 Sets forth all endorsements and insurance coverages according to requirements and instructions contained herein.

3.4.2 Sets forth the notice of cancellation or termination to Collin County.

4.0 SPECIAL CONDITIONS AND SPECIFICATIONS

4.1 Authorization: By order of the Commissioners' Court of Collin County, Texas sealed bids will be received for Signs: Road, Parking & Custom.

4.2 Purpose: It is the intent of the following specifications to describe signs, sign posts, delineators, sign mounting brackets, pavement markers, and sign installation tools needed by Collin County. This IFB has been divided into several sections requesting pricing on different types of signs/materials. Collin County reserves the right to award in whole or in part whichever is in the best interest of Collin County.

4.3 Term: Provide for a multi-year contract commencing on October 1, 2016 and continuing through and including September 30, 2017, with three (3) additional one (1) year renewals.

4.3.1 Transitional Period: Upon normal completion of this contract, not to include termination for default, and in the event that no new contract has been awarded by the original expiration date of the existing contract including any extension thereof, it shall be incumbent upon the Vendor to continue the contract under the same terms and conditions until a new contract can be completely operational. At no time shall this transition period extend more than ninety (90) days beyond the original expiration date of the existing contract and any extension thereof.

4.4 Funding: Funds for payment have been provided through the Collin County budget approved by the Commissioners' Court for this fiscal year only. State of Texas statutes prohibit the County from any obligation of public funds beyond the fiscal year for which a budget has been approved. Therefore, anticipated orders or other obligations that may arise past the end of the current Collin County fiscal year shall be subject to budget approval.

4.5 Price Reduction: If during the life of the contract, the vendor's net prices to its customers for the same product(s) and/or services shall be reduced below the contracted price, it is understood and agreed that the County shall receive such price reduction.

4.6 Price Redetermination: A price redetermination may be considered by Collin County only at the twelve (12), twenty-four (24), and thirty-six (36) month anniversary date of the contract. All requests for price redetermination shall be in written form, shall be submitted a minimum of thirty (30) days prior to anniversary date and shall include documents supporting price redetermination such as Manufacturer's direct cost, postage rates, Railroad Commission rates, Federal/State minimum wage law, Federal/State unemployment taxes, F.I.C.A, Insurance Coverage Rates, etc. The bidder's past experience of honoring contracts at the bid price will be an important consideration in the evaluation of the lowest and best bid. Collin County and the Collin County Governmental Purchasers Forum reserves the right to accept or reject any/all of the price redetermination as it deems to be in the best interest of the County and the Collin County Governmental Purchasers Forum.

4.7 Delivery/Completion/Response Time: Signs/sign materials shall be delivered within thirty (30) days after receipt of an order. Vendor shall notify the Purchasing Department if the delivery schedule cannot be met. The County has the right to allow a delivery extension if the reason appears valid. The artwork will be furnished to the vendor by Collin County. When requested a final layout and sample of sign shall be provided by vendor at no additional charge for approval by Collin County prior to sign fabrication.

4.8 Delivery/Setup/Installation Location: The place of delivery will be stated on each purchase order.

4.9 Approximate Usage: The estimated value of this contract is \$82,000.00. Commodities will be ordered on an as-needed basis. Collin County reserves the right to award this contract in whole, in part by section or in part by line item, depending upon the award that is considered to be in the best interest of the County. Vendors are being asked to quote a percentage off on items in each Section for items within that category that are not specifically outlined herein.

4.10 Specifications

SECTION I: PRE-FABRICATED SIGNS

Items in this section shall conform to the specifications listed below:

- A. METAL: .080 Anodized Aluminum
- B. FINISH: Conforming to the Texas Manual on Uniform Traffic Control Devices (T.M.U.T.C.D.) (High Intensity Prismatic Sheeting)
- C. STANDARDS: Conform to the T.M.U.T.C.D. of the State Department of Highway Public Transportation (S.D.H.P.T.)

SECTION II: SPECIAL SIGNS

Items in this section shall conform to the specifications listed for each special sign.

No Dumping:

- A. 1/2" wide black border
- B. Size: 18" x 24"
- C. Metal: 0.080 Anodized Aluminum
- D. Finish: High Intensity Prismatic Sheeting Grade White/Silver background finish; Black Letters and 1/2" wide Black Border

Collin County Maintenance:

- A. SIZE: 30"W x 24"H
- B. METAL: 0.080 Anodized Aluminum
- C. LETTERS: 3" tall; 1/2" wide Black silk screened
- D. FINISH: High Intensity Prismatic Sheeting White/Silver background finish; 1/2" wide black border

Handicapped Parking:

- A. 1/2" wide white border

- B. Letter Size: In accordance with acceptable standards for readability for size sign required
- C. Sign to read:
 - 1. Handicapped Parking with Symbol
 - 2. Chair Lift Equipped Vehicles Only
- D. Metal: 0.080 Anodized Aluminum
- E. Finish: High Intensity Prismatic Sheeting Blue background finish; White Letters and 1/2" wide White Border; White handicapped symbol

SECTION III: SIGN FACES

Items in this section shall conform to the specifications listed below:

- A. High Intensity Sign Faces (3-M or approved equal)
- B. 10 year minimum warranty sheeting, with pressure sensitive application

SECTION IV: ANODIZED ALUMINUM BLANKS

Items in this section shall conform to the specifications listed below:

- A. 1" - 1 1/2" radius corners
- B. Pre-punched 3/8" diameter holes for typical sign attachment per T.M.U.T.C.D.
- C. 0.080 Thickness

SECTION V: VERTICAL ROAD MARKERS

Items in this section shall conform to the specifications listed below:

- A. Combination "T" section & "U" channel cross section to provide static rigidity for drivability and dynamic flexibility to withstand repeated vehicular impacts & maintain self erecting characteristics (Carsonite or approved equal)
- B. DIMENSIONS: Approx. 3 3/4" wide Approx. 62" long
- C. WEIGHT: Approx. 2 1/3 lbs.
- D. COLOR: White, with top portion of post to have 3" x 12" engineer grade reflective sheeting of amber color

SECTION VI: VERTICAL RECREATIONAL MARKERS/SIGNS

Items in this section shall conform to the specifications listed below:

- A. Combination "T" section & "U" channel cross section to provide static rigidity for drivability and dynamic flexibility to withstand repeated vehicular impacts & maintain self-erecting characteristics (Carsonite or approved equal)

SECTION VII: FLEXIBLE DELINEATORS

Items in this section shall conform to the specifications listed below:

- A. Constructed to meet the standards as stated in SDHPT specification numbers; D-9-400 and D-9-8600 (Safe-Hit or approved equal).
- B. POST: Flexible; color - white; tubular shape; approx. 2 1/2" diameter; flattened to an oval shape at least 3" wide & approx. 1" at the minor axis for upper 11" to 14" of post; top of the posts capped for water resistance.
- C. REFLECTIVE FACE: One 3" wide by 9" long strip of Engineers Grade Reflective Sheeting applied to the flattened area; color of reflective sheeting yellow/amber; applied to reach within 2" of the top of the post.
- D. METAL ANCHOR POST: Chisel pointed, driveable, reusable imbedded type anchor into which the above described flexible post is inserted and held in place by a self locking mechanism; interior reinforcement of about 18" long.

SECTION VIII: REFLECTIVE 9" X 30" COUNTY ROAD SIGN FACES

Items in this section shall conform to the specifications listed below:

- A. MATERIAL: Consists of sheeting material that will be applied to .091 gauge extruded aluminum blanks using a pressure sensitive method; The reflective sheeting shall meet FP-79 Section 633-06 Sheet Reflective Materials Table IV of the Federal Highway Administration specifications.
- B. COLOR: (See Attachment A)
 - 1. Reflectorized blue background conforming with the Federal Highway Administration Highway Blue
 - 2. Reflectorized silver-white legend with the Collin County Logo and the suffix in red, (See Attachment A)
 - 3. All external use of the County logo is limited to non-commercial organizations.
Use of the logo for commercial gain is prohibited.
 - 4. Any additional use of the logo must be approved by the County Administrator, Public Information Officer or a Commissioners Court designee. (See Attachment C for logo)

Collin County logo's colors are:

White

Black Border

Blue: PMS Reflex Blue

Red: PMS 186

The logo fonts are:

Collin County – Franklin Gothic Demi, Bold

5. **SIZE OF SIGNS:** Road number faces to be applied by Collin County to an extruded aluminum blank nine inches (9") high and thirty inches (30") long; Finished size of the sign will be 9" x 30"
6. **LETTER DESIGN:** Letters R and D - Series E 5" upper case
7. **LETTER SPACING:** Control for spacing values in traffic layout is the distance recognized aesthetic spacing between two straight letters (HN); a spacing control of two (2) times the width of the stroke of the letter series to be used shall be the aesthetic control (100%); Two and one-half (2 1/2) times this control shall be used as the aesthetic word space between elements in the primary legend (see Attachment A)
8. **LAYOUT:** (See Attachment A)
9. **SIZE OF LEGEND:**
 - A. Primary legend as road number - 5" upper case letters (RD)
 - B. Size of Collin County Logo - six inches (6") in diameter
10. **POSITION OF LEGEND:** Collin County Logo located on the far left side of the face with the suffix RD being next to the Logo and spacing for road numbers to the right (See Attachment A)
11. **SIGN FABRICATION:** Each sign face fabricated by reverse screening blue transparent color over silver reflective sheeting; Transparent process colors as recommended by the sheeting manufacturer; Cutout or applied legends are not permitted; Sign faces comprising of two or more pieces as panels of reflective sheeting must match for color to provide uniform appearance and brilliance both day and night; Only butt splices permitted on signs screen processed with transparent colors; All sign faces applied to .091 gauge aluminum blanks using a pressure sensitive method.
12. **DURABILITY:** Weather resistant reflective material; Shows no appreciable discoloration, cracking, crazing, blistering or dimensional change following cleaning; Must meet American Standard Testing Manufacture (ASTM D822-60); In lieu of outdoor accelerated weathering, the supplier may furnish a certificate of actual weathered samples of the same construction, materials, color and adhesive to insure conformance to the above.

SECTION IX: BARRICADES/BARRICADE SHEETING/ROLL STOCK

Sign Posts:

Items in this section shall conform to the specifications listed below:

- A. **BASE POST AND SIGN POST:** Flanged channel section high strength rail steel meeting requirements of ASTM A 499-81 modified to 70,000 minimum yield strength.

- B. SIGN POST FINISH: Hot dip galvanized meeting requirements of ASTM A-123, A-525, G-90 specifications or better.
- C. BASE POST FINISH: Hot dip galvanized meeting requirements of ASTM G-90 and coated with one mil of clear approved coating or galvanized in accordance with ASTM A-123.
- D. GALVANIZING FOR SIGN & BASE POSTS: Applied after fabrication is completed.
- E. SIGN & BASE POST WEIGHT: 3 lb/ft plus or minus 3 1/2%.
- F. SIGN & BASE POST CONFIGURATION: Machine straightened with a smooth uniform finish free from injurious defects affecting strength or appearance; Bolt holes of 0.438" diameter carefully spaced vertically and horizontally so that holes will align for easy assembly; All bolt holes and sheared ends shall be commercially free from burrs; shall include breakaway mechanism with retainer straps, four (4) breakaway bolts with compatible lock washers and flanged nuts

Mounting Brackets:

Items in this section shall conform to the specifications listed below:

- A. FOR USE ON EXTRUDED SIGN BLANKS (9" X 30")
- B. BLADE HOLDER: Minimum 5"NO
- C. LOCK-IN SLOTS
- D. CONSTRUCTION: High strength 45,000 p.s.i. aluminum
- E. FURNISHED WITH ALL COMPATIBLE MOUNTING BOLTS AND CADMIUM PLATED SET SCREWS

Wood Sign Blanks:

Items in this section shall conform to the specifications listed below:

- A. High density grade plywood conforming to SDHPT material specification: D-9-7100 Plywood Sign Blanks
- B. 1 1/4" radius for all corners
- C. Signs predrilled with 3/8" diameter holes compatible to sign posts and drilled to allow for sign mounting per the below configurations.

Sign Post Breakout Couplers:

Items in this section shall conform to the specifications listed below:

- A. Full 360 degree break-away shear point
- B. Flush break

- C. Plugged anchor after impact.
- D. Wedge lock anchor attachment
- E. One hundred percent (100%) anchor reusability
- F. Fasteners to play no roll in function of break-away feature
- G. No special tools required
- H. Five (5) minutes or less replacement after knock down
- I. No shards of metal remain above grade following impact – trip hazard protection
- J. Allows for temporary sign replacement in anchor (without the need for a coupler) in emergency situations.
- K. Facilitates the use of tamper resistant fasteners
- L. Exterior grade (UV protected) powder coating.
- M. (ASTM A536) Certified
- N. Telespar brand or approved equal

NOTE: See attached Detail 1 (Attachment D) for U-Channel dimensions and Detail 2 (Attachment E) for Square Tube Coupler dimensions.

Traffic Cones:

Items in this section shall conform to the specifications listed below:

- A. 28" cone with Heavy duty base (Work Area Protection 28PVCS or approved equal)
- B. Day-Glo Fluorescent Orange Color
- C. Big base to provide low center of gravity for maximum stability.
- D. Molded in one piece of rugged poly-vinyl chloride (PVC)._NO

SECTION XI: POLYETHYLENE SIGNS

Items in this section shall conform to the specifications listed below:

- A. Hi-Density Linear Polyethylene material to contain ultraviolet inhibitors.
- B. Silk-screened printing process with clear coating applied over printing.
- C. Ink pigment and clear coating to contain ultraviolet inhibitors.
- D. Material must not rust, fade, corrode, dent or crack.

SECTION XII: PAVEMENT MARKERS

All reflective pavement markers, non-reflective ceramic pavement markers and adhesive components must meet or exceed Texas State Department of Highways and Public Transportation Specifications for durability, reflectiveness and adhesiveness.

SECTION XIII: MAILBOX POSTS AND MOUNTING HARDWARE

Mailbox Posts and Mounting Hardware: (See Attachment B)

Mailbox Posts and Mounting Hardware shall conform to the Dallas District of the Texas Department of Transportation Standard Mailbox Hardware Specifications MB-03 as follows:

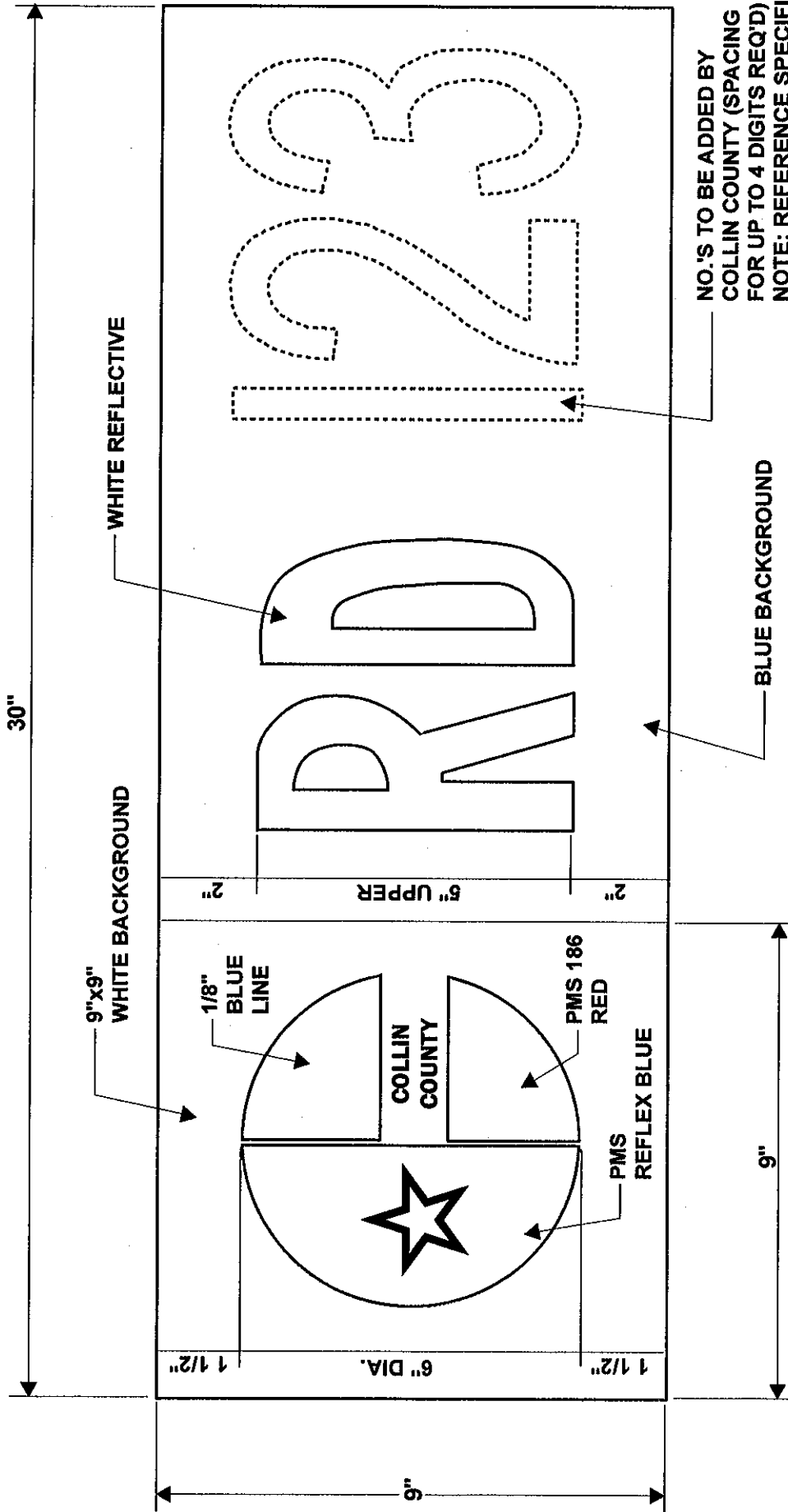
Galvanized "U" channel posts – 2 lbs. per ft. wt.; 5 ½ feet in length

Mailbox and angle mounting brackets

Includes all required mounting nuts bolts etc. per MB-03 spec

6" X 12" reflector (maximum size)

ATTACHMENT A



COLLIN COUNTY LOGO COLORS:

- BLUE
- PMS REFLEX BLUE
- RED
- PMS 186

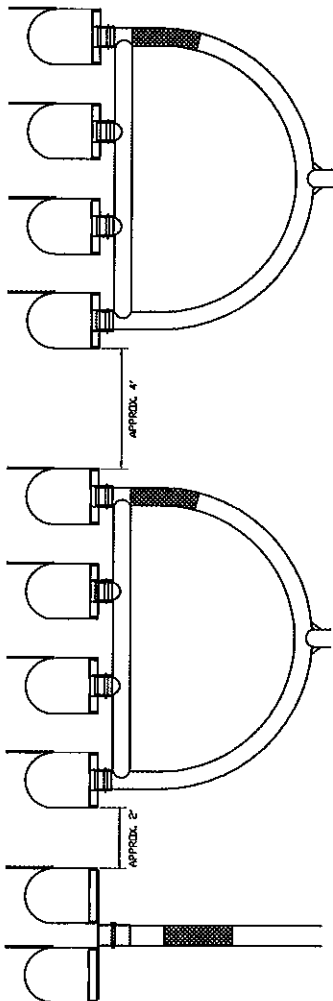
LOGO FONTS:

COLLIN COUNTY - FRANKLIN GOTHIC DEMI BOLD

INSTALLATION INSTRUCTIONS FOR MAILBOX SUPPORTS

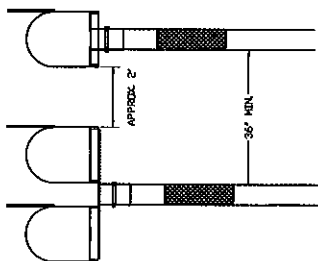
1. DIG HOLE 12" DIAMETER BY 24" OR 30" DEEP.
2. PLACE HDPE SOCKET ON UPRIGHT ASSEMBLY STAND STEM. FLAT END OF SOCKET ON TOP. INSERT MAILBOX POST INTO SOCKET (THE UPRIGHT STEM SUPPORTS THE POST ABOVE THE LOCKING PORT ON THE BOTTOM OF SOCKET THROUGH WHICH CONCRETE FLOWS AND "LOCKS" IT INTO THE FOOTING.) POSITION WEDGE BETWEEN SOCKET AND POST. DRIVE WEDGE DOWN UNTIL APPROXIMATELY 3/8" ABOVE TOP OF SOCKET WITH DRIVER. THE THREE COMPONENT MAILBOX SUPPORT IS READY FOR INSTALLATION.
3. MIX AND POUR CONCRETE UP TO APPROXIMATELY 12" FROM TOP OF HOLE.
NOTE: CONCRETE SHOULD BE 3000 PSI OR BETTER ACCORDING TO SPECIFICATIONS.
* USE BETWEEN A (2" & 3") SLUMP, "DRY" CONCRETE.
4. INSERT POST SOCKET ASSEMBLY INTO CONCRETE SO THAT TOP OF SOCKET IS JUST ABOVE GROUND LEVEL. POSITION SOCKET IN HOLE SO THAT WEDGE FACES ONCOMING TRAFFIC FOR SINGLE & DOUBLE MOUNTS AND FACES ROADWAY FOR MULTIPLE MOUNTS.
5. POUR CONCRETE AROUND SOCKET UNTIL IT LEVELS OFF AT TOP OF HOLE SO THAT ONLY APPROXIMATELY 3/8" OF TOP OF SOCKET IS ABOVE THE TOP OF CONCRETE.
6. INSTALL MAILBOX BRACKET(S) ON TOP OF POST AND POSITION 90° TO ROADWAY.

MULTIPLE MAILBOX PLACEMENT



4' CLEAR DISTANCE BETWEEN MULTIPLE INSTALLATIONS AND 2' CLEARANCE BETWEEN DOUBLE OR SINGLE INSTALLATIONS AND THE MULTIPLE INSTALLATION.

SINGLE & DOUBLE MAILBOX PLACEMENT

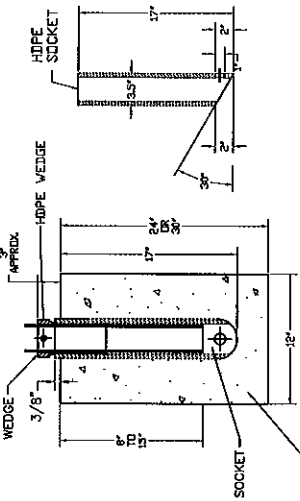


CLEAR DISTANCE BETWEEN SINGLE OR DOUBLE MOUNTED POSTS. WHEN 3 OR MORE MAILBOXES ARE IN ONE LOCATION, A MULTIPLE SUPPORT IS USED.

MAILBOXES SHALL BE MADE OF LIGHT WEIGHT SHEET METAL OR LIGHT WEIGHT PLASTIC. HEAVY STEEL, CAST IRON OR DEGRADATIVE MAILBOXES SHALL NOT BE USED ON THE STATE HIGHWAY SYSTEM.

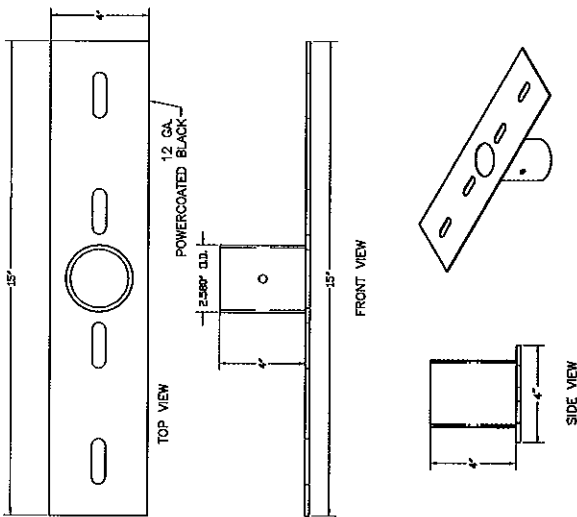
TYPICAL MAILBOX SIZE	LIGHT WEIGHT MATERIAL		SHEET METAL	
	LENGTH	WIDTH	WEIGHT	MAXIMUM WEIGHT
SIZE	INCHES		POUNDS	
SMALL	19 1/2"	6"	7"	5
MEDIUM	22 1/2"	8"	11 1/2"	7
LARGE	23 1/2"	11 1/2"	11 1/2"	10

FOUNDATION FOR SINGLE, DOUBLE, & MULTIPLE MAILBOX ASSEMBLY



NON-REINFORCED CONCRETE FOOTING (SHALL BE USED UNLESS NOTED OTHERWISE IN THE PLANS). FOUNDATION SHOULD TAKE APPROX. 1.5 CU YD CONCRETE (APPROX. 17 POSTS CAN BE INSTALLED PER CUBIC YARD OF CONCRETE).

DOUBLE MAILBOX ADAPTER



TYPE: SHUR-TITE® MAILBOX STANDARDS

DRAWN BY: JC DATE: 02/08/06

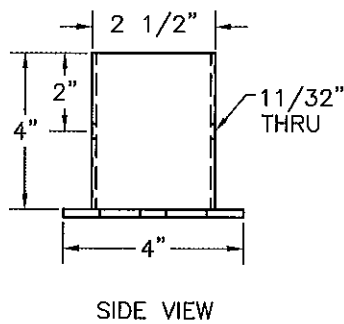
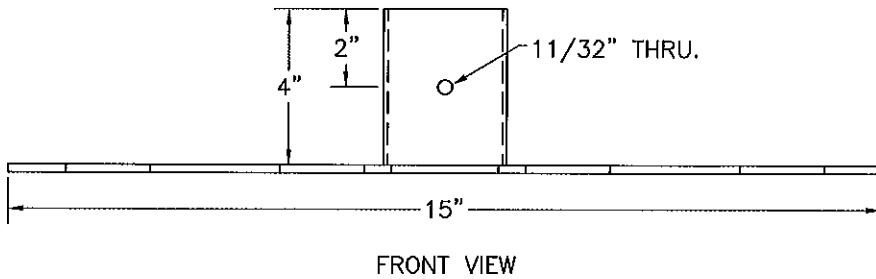
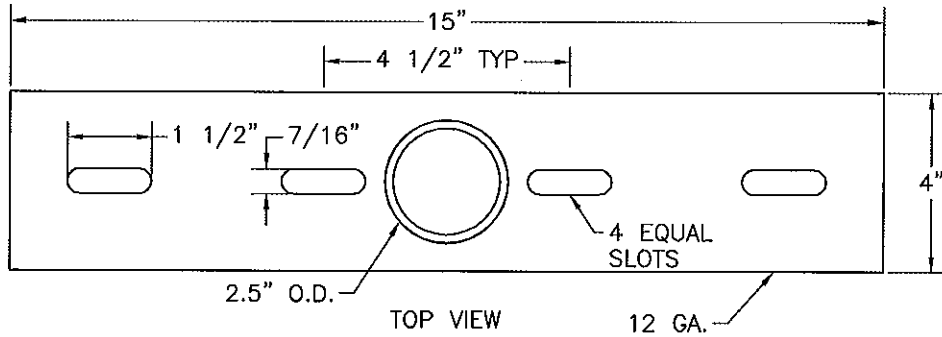
CHECKED BY: DWH SHEET: 1

SHUR-TITE® PRODUCTS

P. O. BOX 2563 ROUND ROCK, TEXAS 78680 (512) 218-8900

2 OF 2

SHUR-TITE DOUBLE MAILBOX ADAPTER



PATENT PENDING

SHUR-TITE[®]
PRODUCTS

TYPE:

DOUBLE MAILBOX
ADAPTER

DRAWN BY:

PH

DATE:

07/18/07

CHECKED BY:

DWH

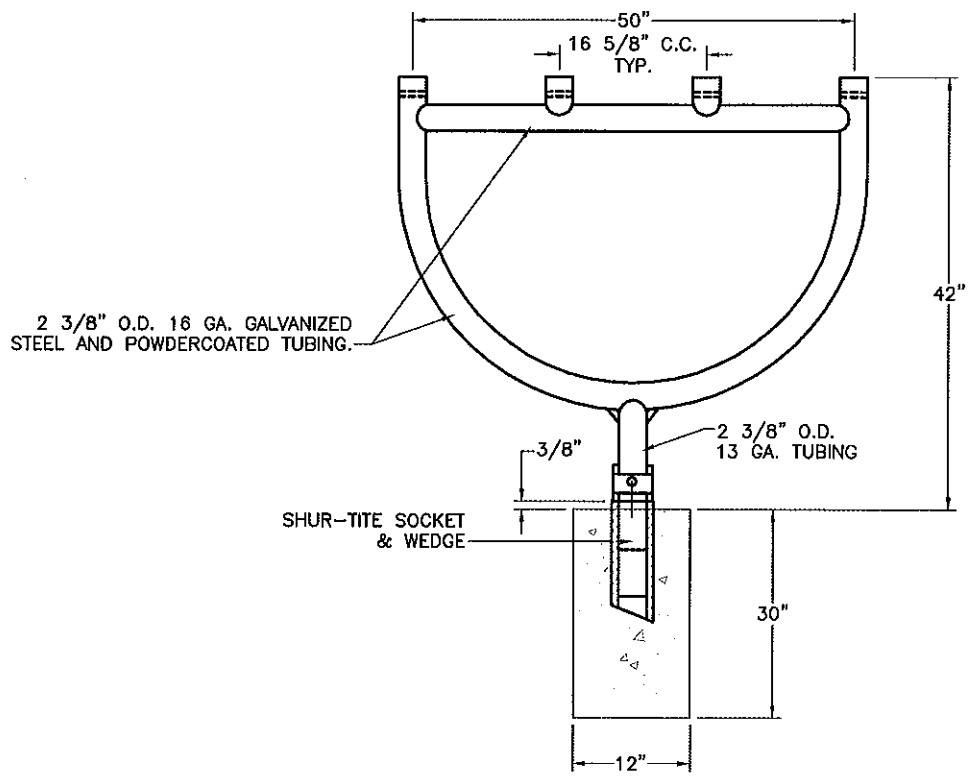
REVISION:

1

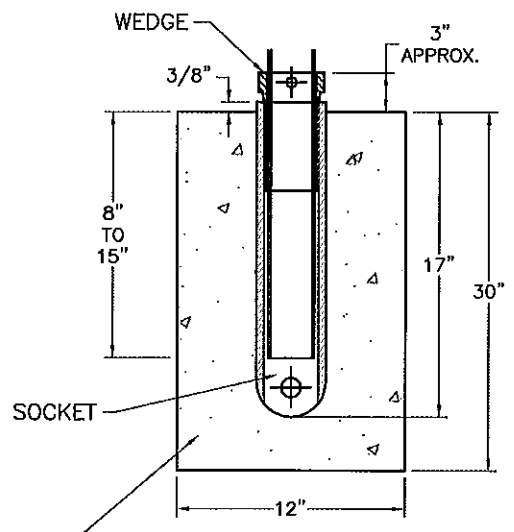
SHEET:

1 OF 1

ATTACHMENT B MULTIPLE MAILBOX MOUNT



PLAN VIEW



NON-REINFORCED CONCRETE FOOTING (SHALL BE USED UNLESS NOTED ELSEWHERE IN THE PLANS). FOUNDATION SHOULD TAKE APPROX. 1.9 CF OF CONCRETE. (APPROX. 14 POSTS CAN BE INSTALLED PER CUBIC YARD OF CONCRETE.)

SHUR-TITE[®]
PRODUCTS

P. O. BOX 2283
ROUND ROCK, TEXAS 78660

(512) 216-9500

TYPE:

MULTIPLE MAILBOX
MOUNT

DRAWN BY:

PH

DATE:

07/02/07

CHECKED BY:

DWH

REVISION:

1

SHEET:

1 OF 1

SHUR-TITE MULTIPLE MAILBOX MOUNT INSTRUCTIONS 2-7-02 27-00007-720/2007 103-21-03 001

ATTACHMENT C: COLLIN COUNTY LOGO



All external use of the County logo is limited to non-commercial organizations. **Use of the logo for commercial gain is prohibited.**

Any additional use of the logo must be approved by the County Administrator, Public Information Officer or a Commissioners Court designee.

The Collin County logo's colors are:

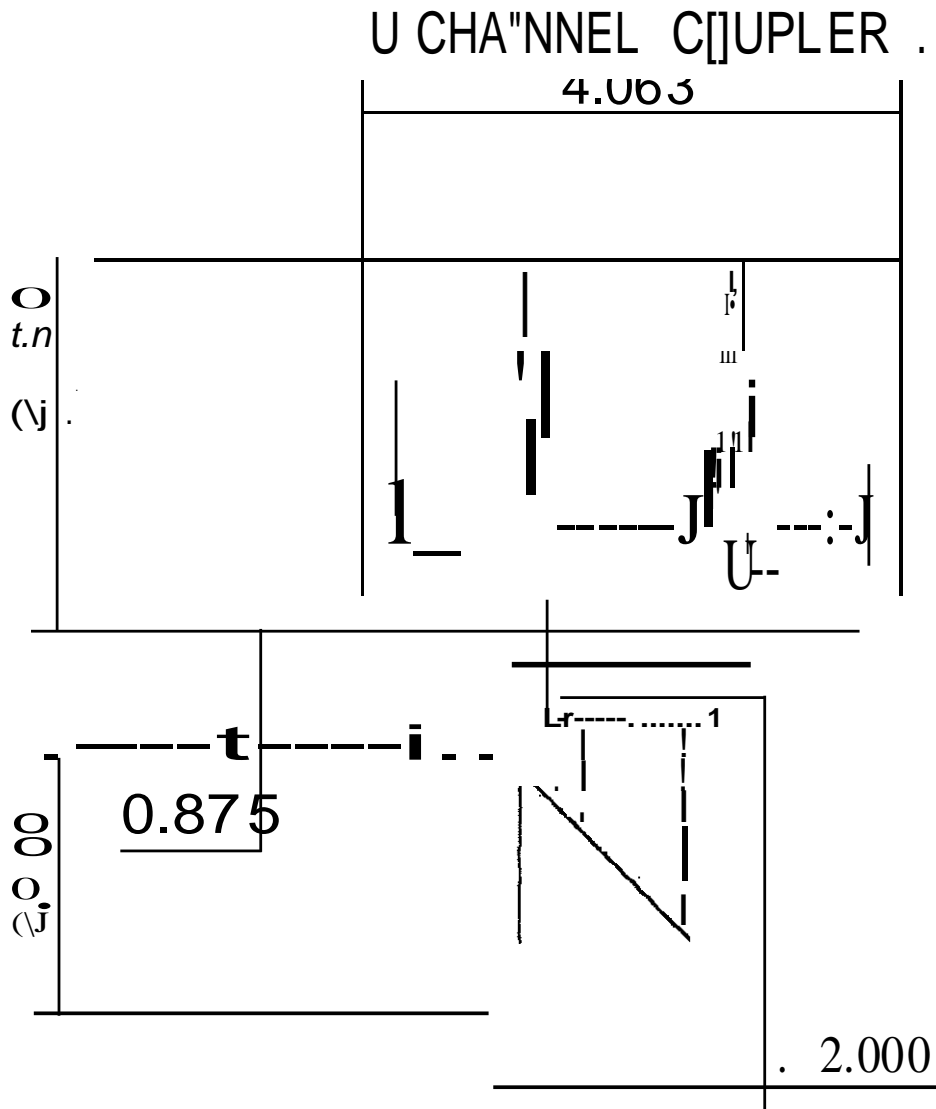
White
Black Border
Blue: PMS Reflex Blue
Red: PMS 186

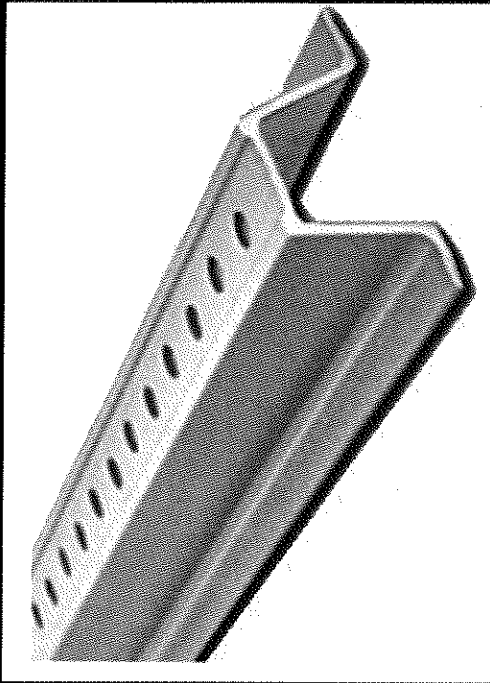
The logo fonts are:

Collin County – Franklin Gothic Demi, Bold

ATTACHMENT D

DETAIL u1¹¹.

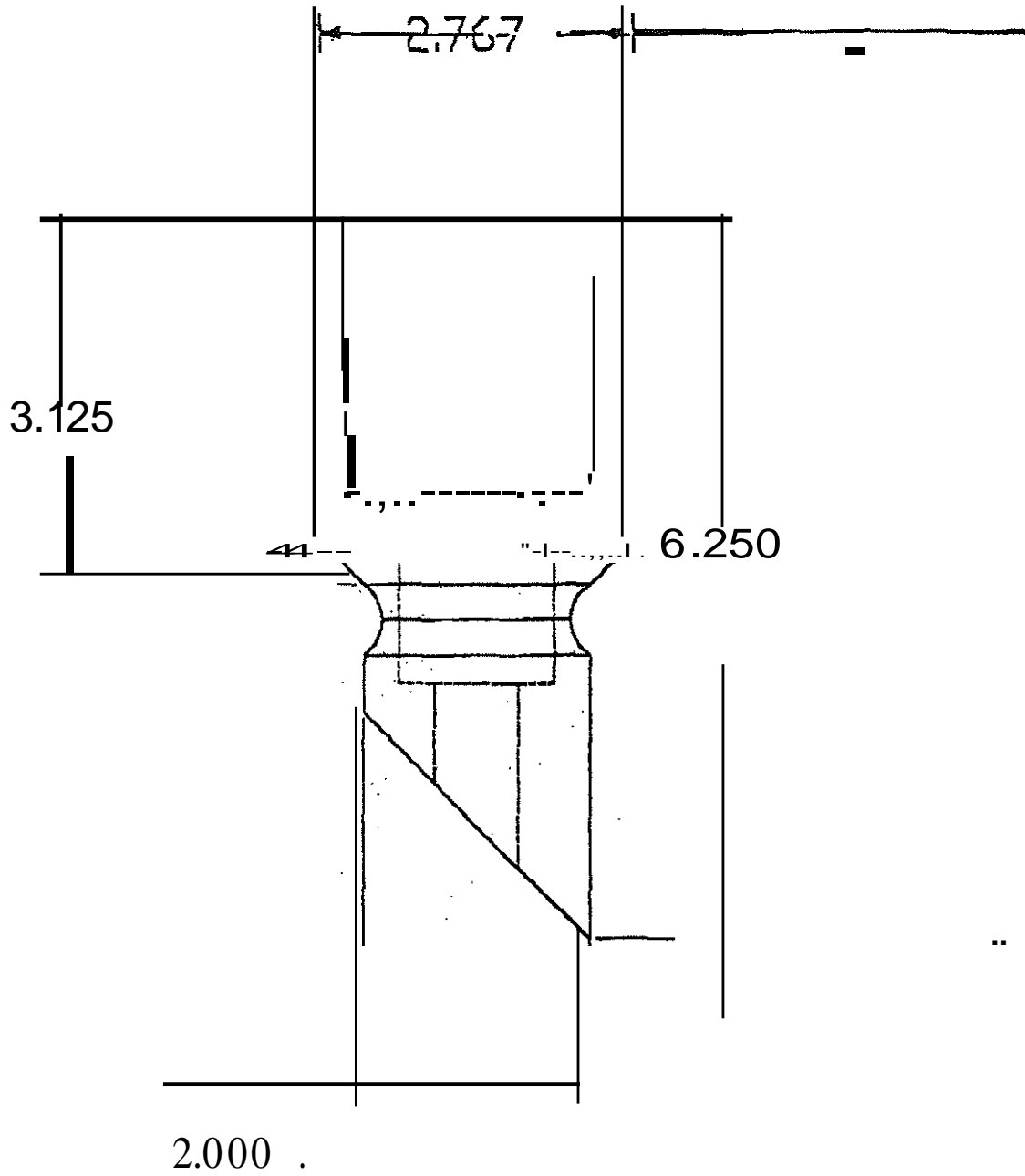


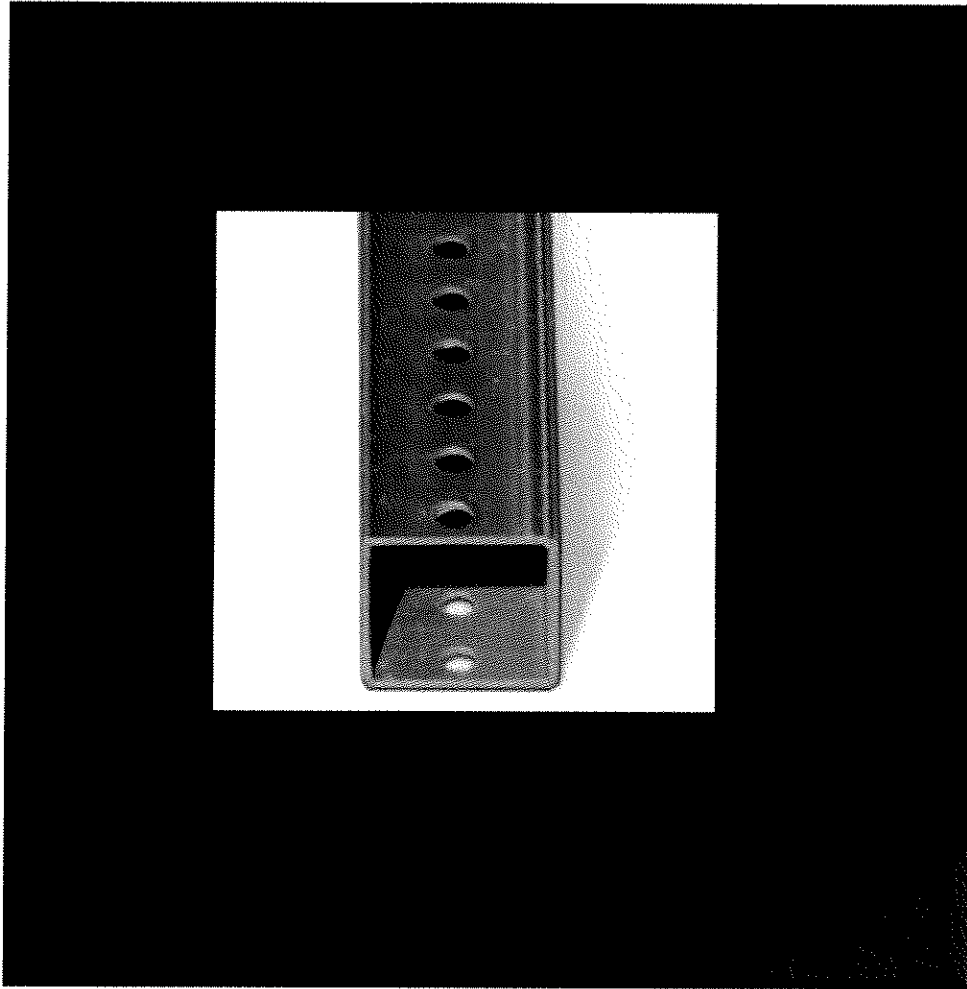


ATTACHMENT E

. DETAIL. ¹¹2¹¹

SQUARE TUBE COUPLER





INFORMATION REGARDING CONFLICT OF INTEREST QUESTIONNAIRE

During the 79th Legislative Session, House Bill 914 was signed into law effective September 1, 2005, which added Chapter 176 to the Texas Local Government Code. Recent changes have been made to Chapter 176 pursuant to HB23, which passed the 84th Legislative Session. Chapter 176 mandates the public disclosure of certain information concerning persons doing business or seeking to do business with Collin County, including family, business, and financial relationships such persons may have with Collin County officers or employees involved in the planning, recommending, selecting and contracting of a vendor for this procurement.

For a copy of Form CIQ and

CIS: [http://www.ethics.state.tx.us/filinginfo/conflict_form
s.htm](http://www.ethics.state.tx.us/filinginfo/conflict_form_s.htm)

The vendor acknowledges by doing business or seeking to do business with Collin County that he/she has been notified of the requirements under Chapter 176 of the Texas Local Government Code and that he/she is solely responsible for complying with the terms and conditions therein. Furthermore, any individual or business entity seeking to do business with Collin County who does not comply with this practice may risk award consideration of any County contract.

For a listing of current Collin County Officers:

<http://www.collincountytexas.gov/government/Pages/officials.aspx>

The following County employees will be involved in the planning, recommending, selecting, and contracting for the attached procurement:

Department:

Jon Kleinheksel, Director of Public Works

Gary Enna, Assistant Director of Public Works

Purchasing:

Michalyn Rains – Purchasing Agent, CPPB, CPPO

Sara Hogle, CPPB – Asst. Purchasing Agent

Carol Magers – Buyer

Commissioners' Court:

Keith Self – County Judge

Susan Fletcher – Commissioner Precinct No. 1

Cheryl Williams – Commissioner Precinct No. 2

Chris Hill – Commissioner Precinct No. 3

Duncan Webb – Commissioner Precinct No. 4

CONFLICT OF INTEREST QUESTIONNAIRE
For vendor doing business with local governmental entity

FORM CIQ

This questionnaire reflects changes made to the law by H.B. 23, 84th Leg., Regular Session.

This questionnaire is being filed in accordance with Chapter 176, Local Government Code, by a vendor who has a business relationship as defined by Section 176.001(1-a) with a local governmental entity and the vendor meets requirements under Section 176.006(a).

By law this questionnaire must be filed with the records administrator of the local governmental entity not later than the 7th business day after the date the vendor becomes aware of facts that require the statement to be filed. See Section 176.006(a-1), Local Government Code.

A vendor commits an offense if the vendor knowingly violates Section 176.006, Local Government Code. An offense under this section is a misdemeanor.

OFFICE USE ONLY

Date Received

1 Name of vendor who has a business relationship with local governmental entity.

2 **Check this box if you are filing an update to a previously filed questionnaire.** (The law requires that you file an updated completed questionnaire with the appropriate filing authority not later than the 7th business day after the date on which you became aware that the originally filed questionnaire was incomplete or inaccurate.)

3 Name of local government officer about whom the information is being disclosed.

Name of Officer

4 Describe each employment or other business relationship with the local government officer, or a family member of the officer, as described by Section 176.003(a)(2)(A). Also describe any family relationship with the local government officer. Complete subparts A and B for each employment or business relationship described. Attach additional pages to this Form CIQ as necessary.

A. Is the local government officer or a family member of the officer receiving or likely to receive taxable income, other than investment income, from the vendor?

Yes No

B. Is the vendor receiving or likely to receive taxable income, other than investment income, from or at the direction of the local government officer or a family member of the officer AND the taxable income is not received from the local governmental entity?

Yes No

5 Describe each employment or business relationship that the vendor named in Section 1 maintains with a corporation or other business entity with respect to which the local government officer serves as an officer or director, or holds an ownership interest of one percent or more.

6 Check this box if the vendor has given the local government officer or a family member of the officer one or more gifts as described in Section 176.003(a)(2)(B), excluding gifts described in Section 176.003(a-1).

7

Signature of vendor doing business with the governmental entity

Date

CONFLICT OF INTEREST QUESTIONNAIRE

For vendor doing business with local governmental entity

A complete copy of Chapter 176 of the Local Government Code may be found at <http://www.statutes.legis.state.tx.us/Docs/LG/htm/LG.176.htm>. For easy reference, below are some of the sections cited on this form.

Local Government Code § 176.001(1-a): "Business relationship" means a connection between two or more parties based on commercial activity of one of the parties. The term does not include a connection based on:

- (A) a transaction that is subject to rate or fee regulation by a federal, state, or local governmental entity or an agency of a federal, state, or local governmental entity;
- (B) a transaction conducted at a price and subject to terms available to the public; or
- (C) a purchase or lease of goods or services from a person that is chartered by a state or federal agency and that is subject to regular examination by, and reporting to, that agency.

Local Government Code § 176.003(a)(2)(A) and (B):

(a) A local government officer shall file a conflicts disclosure statement with respect to a vendor if:

(2) the vendor:

(A) has an employment or other business relationship with the local government officer or a family member of the officer that results in the officer or family member receiving taxable income, other than investment income, that exceeds \$2,500 during the 12-month period preceding the date that the officer becomes aware that

- (i) a contract between the local governmental entity and vendor has been executed;
- or
- (ii) the local governmental entity is considering entering into a contract with the vendor;

(B) has given to the local government officer or a family member of the officer one or more gifts that have an aggregate value of more than \$100 in the 12-month period preceding the date the officer becomes aware that:

- (i) a contract between the local governmental entity and vendor has been executed; or
- (ii) the local governmental entity is considering entering into a contract with the vendor.

Local Government Code § 176.006(a) and (a-1)

(a) A vendor shall file a completed conflict of interest questionnaire if the vendor has a business relationship with a local governmental entity and:

- (1) has an employment or other business relationship with a local government officer of that local governmental entity, or a family member of the officer, described by Section 176.003(a)(2)(A);
- (2) has given a local government officer of that local governmental entity, or a family member of the officer, one or more gifts with the aggregate value specified by Section 176.003(a)(2)(B), excluding any gift described by Section 176.003(a-1); or
- (3) has a family relationship with a local government officer of that local governmental entity.

(a-1) The completed conflict of interest questionnaire must be filed with the appropriate records administrator not later than the seventh business day after the later of:

(1) the date that the vendor:

- (A) begins discussions or negotiations to enter into a contract with the local governmental entity; or
- (B) submits to the local governmental entity an application, response to a request for proposals or bids, correspondence, or another writing related to a potential contract with the local governmental entity; or

(2) the date the vendor becomes aware:

- (A) of an employment or other business relationship with a local government officer, or a family member of the officer, described by Subsection (a);
- (B) that the vendor has given one or more gifts described by Subsection (a); or
- (C) of a family relationship with a local government officer.

Request for Taxpayer Identification Number and Certification

**Give Form to the
 requester. Do not
 send to the IRS.**

Print or type See Specific Instructions on page 2.	1 Name (as shown on your income tax return). Name is required on this line; do not leave this line blank.	
	2 Business name/disregarded entity name, if different from above	
	3 Check appropriate box for federal tax classification; check only one of the following seven boxes: <input type="checkbox"/> Individual/sole proprietor or single-member LLC <input type="checkbox"/> Limited liability company. Enter the tax classification (C=C corporation, S=S corporation, P=partnership) ▶ _____ Note. For a single-member LLC that is disregarded, do not check LLC; check the appropriate box in the line above for the tax classification of the single-member owner. <input type="checkbox"/> Other (see instructions) ▶ _____	4 Exemptions (codes apply only to certain entities, not individuals; see instructions on page 3): Exempt payee code (if any) _____ Exemption from FATCA reporting code (if any) _____ <small>(Applies to accounts maintained outside the U.S.)</small>
	5 Address (number, street, and apt. or suite no.)	Requester's name and address (optional)
	6 City, state, and ZIP code	
	7 List account number(s) here (optional)	

Part I Taxpayer Identification Number (TIN)

Enter your TIN in the appropriate box. The TIN provided must match the name given on line 1 to avoid backup withholding. For individuals, this is generally your social security number (SSN). However, for a resident alien, sole proprietor, or disregarded entity, see the Part I instructions on page 3. For other entities, it is your employer identification number (EIN). If you do not have a number, see *How to get a TIN* on page 3.

Note. If the account is in more than one name, see the instructions for line 1 and the chart on page 4 for guidelines on whose number to enter.

Social security number												
<table border="1" style="width: 100%; border-collapse: collapse;"> <tr> <td style="width: 25%; height: 20px;"></td> <td style="width: 5%; text-align: center;">-</td> <td style="width: 25%; height: 20px;"></td> <td style="width: 5%; text-align: center;">-</td> <td style="width: 40%; height: 20px;"></td> </tr> </table>		-		-								
	-		-									
or												
Employer identification number												
<table border="1" style="width: 100%; border-collapse: collapse;"> <tr> <td style="width: 10%; height: 20px;"></td> <td style="width: 10%;"></td> <td style="width: 10%; text-align: center;">-</td> <td style="width: 10%; height: 20px;"></td> <td style="width: 10%;"></td> <td style="width: 10%; height: 20px;"></td> <td style="width: 10%;"></td> <td style="width: 10%; height: 20px;"></td> <td style="width: 10%;"></td> <td style="width: 10%; height: 20px;"></td> <td style="width: 10%;"></td> </tr> </table>			-									
		-										

Part II Certification

Under penalties of perjury, I certify that:

- The number shown on this form is my correct taxpayer identification number (or I am waiting for a number to be issued to me); and
- I am not subject to backup withholding because: (a) I am exempt from backup withholding, or (b) I have not been notified by the Internal Revenue Service (IRS) that I am subject to backup withholding as a result of a failure to report all interest or dividends, or (c) the IRS has notified me that I am no longer subject to backup withholding; and
- I am a U.S. citizen or other U.S. person (defined below); and
- The FATCA code(s) entered on this form (if any) indicating that I am exempt from FATCA reporting is correct.

Certification instructions. You must cross out item 2 above if you have been notified by the IRS that you are currently subject to backup withholding because you have failed to report all interest and dividends on your tax return. For real estate transactions, item 2 does not apply. For mortgage interest paid, acquisition or abandonment of secured property, cancellation of debt, contributions to an individual retirement arrangement (IRA), and generally, payments other than interest and dividends, you are not required to sign the certification, but you must provide your correct TIN. See the instructions on page 3.

Sign Here	Signature of U.S. person ▶	Date ▶
------------------	----------------------------	--------

General Instructions

Section references are to the Internal Revenue Code unless otherwise noted.

Future developments. Information about developments affecting Form W-9 (such as legislation enacted after we release it) is at www.irs.gov/fw9.

Purpose of Form

An individual or entity (Form W-9 requester) who is required to file an information return with the IRS must obtain your correct taxpayer identification number (TIN) which may be your social security number (SSN), individual taxpayer identification number (ITIN), adoption taxpayer identification number (ATIN), or employer identification number (EIN), to report on an information return the amount paid to you, or other amount reportable on an information return. Examples of information returns include, but are not limited to, the following:

- Form 1099-INT (interest earned or paid)
- Form 1099-DIV (dividends, including those from stocks or mutual funds)
- Form 1099-MISC (various types of income, prizes, awards, or gross proceeds)
- Form 1099-B (stock or mutual fund sales and certain other transactions by brokers)
- Form 1099-S (proceeds from real estate transactions)
- Form 1099-K (merchant card and third party network transactions)

- Form 1098 (home mortgage interest), 1098-E (student loan interest), 1098-T (tuition)
 - Form 1099-C (canceled debt)
 - Form 1099-A (acquisition or abandonment of secured property)
- Use Form W-9 only if you are a U.S. person (including a resident alien), to provide your correct TIN.
- If you do not return Form W-9 to the requester with a TIN, you might be subject to backup withholding. See What is backup withholding? on page 2.*
- By signing the filled-out form, you:
- Certify that the TIN you are giving is correct (or you are waiting for a number to be issued).
 - Certify that you are not subject to backup withholding, or
 - Claim exemption from backup withholding if you are a U.S. exempt payee. If applicable, you are also certifying that as a U.S. person, your allocable share of any partnership income from a U.S. trade or business is not subject to the withholding tax on foreign partners' share of effectively connected income, and
 - Certify that FATCA code(s) entered on this form (if any) indicating that you are exempt from the FATCA reporting, is correct. See *What is FATCA reporting?* on page 2 for further information.