



COLLIN COUNTY

**Services: Fencing, Labor and Materials,
All Inclusive
IFB No. 2017-279**

**Gina Zimmel, Buyer II
Jack Hatchell Administration Building
2300 Bloomdale Road, Ste. 3160
McKinney, TX 75071**

**(P) 972-548-4119 (F) 972-548-4694
gzimmel@collincountytx.gov**

Collin County exclusively uses IonWave Technologies, Inc. ([Collin County eBid](#)) for the notification and dissemination of all solicitations. The receipt of solicitations through any other means may result in your receipt of incomplete specifications and/or addendums which could ultimately render your bid/proposal non-compliant. Collin County accepts no responsibility for the receipt and/or notification of solicitations through any other means.

LEGAL NOTICE

By order of the Commissioners' Court of Collin County, Texas, sealed bids will be received by the Purchasing Agent, 2300 Bloomdale Road, Suite 3160, McKinney, TX 75071, until **2:00 P.M., Thursday, August 31, 2017** for competitive bids on **Services: Fencing, Labor and Materials All Inclusive, IFB 2017-279**. Bidders should use unit pricing. A **Payment** and **Performance Bond** will be required for this contract. Funds for payment have been provided through Collin County budget approved by the Commissioners' Court for this fiscal year only. Bidders may secure copies of the Bidding Documents at <https://collincountytx.ionwave.net> . Bids will be opened by the Purchasing Agent in the Purchasing Conference Room, Collin County Administration Building, 2300 Bloomdale Road, Suite 3160, McKinney TX, 75071 on **Thursday, August 31, 2017 at 2:00 P.M.** The Commissioners' Court reserves the right to reject any and all bids.



ATTENTION: CLASSIFIEDS
BILL TO: ACCOUNT NO 06100315-00
COMMISSIONERS' COURT

NOTICE TO PUBLISHERS: Please publish in your issue on **Thursday, August 17, 2017** and **Thursday, August 24, 2017**. A copy of this notice and the publishers' affidavit must accompany the invoice when presented for payment.

NEWSPAPER: Plano Star Courier
DATE: August 15, 2017
FAX: 972-529-1684

Collin County, Texas

Bid Information

Bid Owner Gina Zimmel Buyer II
Email gzimmel@co.collin.tx.us
Phone
Fax
Bid Number 2017-279
Title Services: Fencing, Labor &
Materials All Inclusive
Bid Type IFB
Issue Date 08/15/2017
Close Date 8/31/2017 02:00:00 PM (CT)

Contact Information

Address 2300 Bloomdale Rd.
Ste. 3160
McKinney, TX 75071
Contact Gina Zimmel Buyer II
Department Purchasing
Building Admin. Building
Floor/Room Ste.3160
Telephone
Fax
Email gzimmel@co.collin.tx.us

Ship to Information

Address See Purchase Order
McKinney, TX 75071
Contact
Department
Building
Floor/Room
Telephone
Fax
Email

Supplier Information

Company Name _____
Contact Name _____
Address _____

Telephone _____
Fax _____
Email _____

Supplier Notes

The undersigned hereby certifies the foregoing bid submitted by the company listed below hereinafter called "bidder" is the duly authorized agent of said company and the person signing said bid has been duly authorized to execute same. Bidder affirms that they are duly authorized to execute this contract; this company; corporation, firm, partnership or individual has not prepared this bid in collusion with any other bidder or other person or persons engaged in the same line of business; and that the contents of this bid as to prices, terms and conditions of said bid have not been communicated by the undersigned nor by any employee or agent to any other person engaged in this type of business prior to the official opening of this bid.

Signature _____ Date ____ / ____ / ____

Bid Notes

Bid Activities

Bid Messages

Bid Attachments

The following attachments are associated with this opportunity and will need to be retrieved separately

#	Filename	Description
Header	General_Instructions_Bid.docx	General_Instructions_Bid
Header	Terms of Contract_Bid.docx	Terms of Contract - Bid
Header	Insurance.doc	Insurance Requirements
Header	Special_Conditions_and_Specifications.F.docx	Special Conditions and Specifications

Header	Exhibits for Reference.pdf	Exhibits
Header	Payment_Bond.pdf	Payment Bond
Header	Performance_Bond.pdf	Performance Bond
Header	HB23_CIQ - Pur.docx	Information Regarding Conflict of Interest Questionnaire
Header	CIQ_113015.pdf	Conflict of Interest Questionnaire
Header	W9_2014.pdf	W-9

Bid Attachments Requested

The following attachments are requested with this opportunity

Bid Attributes

Please review the following and respond where necessary

#	Name	Note	Response
1	Delivery	<p>Delivery will be F.O.B. inside delivery at Collin County designated locations and all transportation charges are to be paid by the supplier to destination.</p> <p>Please state delivery in calendar days from date of order.</p>	_____ (Required)
2	Exceptions	<p>Do you take exceptions to the specifications. If so, by separate attachment, please state your exceptions. Valid Responses: [Please Select], Yes, No</p>	_____ (Required)
3	Insurance	<p>I understand that the insurance requirements of this solicitation are required and a certificate of insurance shall be submitted to the Purchasing department if I am awarded all or a portion of the resulting contract.</p> <p>Please initial.</p>	_____ (Required)
4	Subcontractors	<p>State the business name of all subcontractors and the type of work they will be performing under this contract.</p> <p>If you are fully qualified to self-perform the entire contract, please respond with "Not Applicable-Self Perform".</p>	_____ (Required)
5	Reference No. 1	<p>List a company or governmental agency where these same/like products /services, as stated herein, have been provided.</p> <p>Include the following: Company/Entity, Contact, Address, City/State/Zip, Phone, and E-Mail.</p>	_____ (Required)
6	Reference No. 2	<p>List a company or governmental agency where these same/like products /services, as stated herein, have been provided.</p> <p>Include the following: Company/Entity, Contact, Address, City/State/Zip, Phone, and E-Mail.</p>	_____ (Required)
7	Reference No. 3	<p>List a company or governmental agency where these same/like products /services, as stated herein, have been provided.</p>	_____ (Required)

Include the following: Company/Entity, Contact, Address, City/State/Zip, Phone, and E-Mail.

- 8 Cooperative Contracts _____ (Required)
- As permitted under Title 8, Chapter 271, Subchapter F, Section 271.101 and 271.102 V.T.C.A. and Title 7, Chapter 791, Subchapter C, Section 791.025, V.T.C.A., other local governmental entities may wish to also participate under the same terms and conditions contained in this contract. Each entity wishing to participate must enter into an inter-local agreement with Collin County and have prior authorization from vendor. If such participation is authorized, all purchase orders will be issued directly from and shipped directly to the local governmental entity requiring supplies/services. Collin County shall not be held responsible for any orders placed, deliveries made or payment for supplies/services ordered by these entities. Each entity reserves the right to determine their participation in this contract.
- Would bidder be willing to allow other local governmental entities to participate in this contract, if awarded, under the same terms and conditions?
Valid Responses: [Please Select], Yes, No
- 9 Preferential Treatment _____ (Required)
- The County of Collin, as a governmental agency of the State of Texas, may not award a contract to a nonresident bidder unless the nonresident's bid is lower than the lowest bid submitted by a responsible Texas resident bidder by the same amount that a Texas resident bidder would be required to underbid a nonresident bidder to obtain a comparable contract in the state in which the nonresident's principal place of business is located (Government Code, Title 10, V.T.C.A., Chapter 2252, Subchapter A).
1. Is your principal place of business in the State of Texas?
 2. If your principal place of business is not in Texas, in which State is your principal place of business?
 3. If your principal place of business is not in Texas, does your state favor resident bidders (bidders in your state) by some dollar increment or percentage?
 4. If your state favors resident bidders, state by what dollar amount or percentage.
- 10 Debarment Certification _____ (Required)
- I certify that neither my company nor an owner or principal of my company has been debarred, suspended or otherwise made ineligible for participation in Federal Assistance programs under Executive Order 12549, "Debarment and Suspension," as described in the Federal Register and Rules and Regulations.
- Please initial.
- 11 Immigration and Reform Act _____ (Required)
- I declare and affirm that my company is in compliance with the Immigration and Reform Act of 1986 and all employees are legally eligible to work in the United States of America.
- I further understand and acknowledge that any non-compliance with the Immigration and Reform Act of 1986 at any time during the term of this contract will render the contract voidable by Collin County.
- Please initial.

- 12 Disclosure of Certain Relationships Chapter 176 of the Texas Local Government Code _____ (Required)
 requires that any vendor considering doing business with a local government entity disclose the vendor's affiliation or business relationship that might cause a conflict of interest with a local government entity. Subchapter 6 of the code requires a vendor to file a conflict of interest questionnaire (CIQ) if a conflict exists. By law this questionnaire must be filed with the records administrator of Collin County no later than the 7th business day after the date the vendor becomes aware of an event that requires the statement to be filed. A vendor commits an offense if the vendor knowingly violates the code. An offense under this section is a misdemeanor.
- By submitting a response to this request, the vendor represents that it is in compliance with the requirements of Chapter 176 of the Texas Local Government Code.
- Please send completed forms to the Collin County County Clerk's Office located at 2300 Bloomdale Rd., Suite 2104, McKinney, TX 75071.
- Please initial.
- 13 Anti-Collusion Statement Bidder certifies that its Bid/Proposal is made without prior understanding, agreement, or connection with any corporation, firm, or person submitting a Bid/Proposal for the same materials, services, supplies, or equipment and is in all respects fair and without collusion or fraud. _____ (Required)
- No premiums, rebates or gratuities permitted; either with, prior to, or after any delivery of material or provision of services. Any such violation may result in Agreement cancellation, return of materials or discontinuation of services and the possible removal from bidders list.
- Please initial.
- 14 Disclosure of Interested Parties Section 2252.908 of the Texas Government Code requires a business entity entering into certain contracts with a governmental entity to file with the governmental entity a disclosure of interested parties at the time the business entity submits the signed contract to the governmental entity. Section 2252.908 requires the disclosure form (Form 1295) to be signed by the authorized agent of the contracting business entity, acknowledging that the disclosure is made under oath and under penalty of perjury. Section 2252.908 applies only to a contract that requires an action or vote by the governing body of the governmental entity before the contract may be signed or has a value of at least \$1 million. Section 2252.908 provides definitions of certain terms occurring in the section. _____ (Required)
- Section 2252.908 applies only to a contract entered into on or after January 1, 2016.
- Please initial.
- 15 Notification Survey In order to better serve our offerors, the Collin County Purchasing Department is conducting the following survey. _____ (Required)
 We appreciate your time and effort expended to submit your bid. Should you have any questions or require more information please call (972) 548-4165.
- How did you receive notice of this request?
 Valid Responses: [Please Select], Plano Star Courier, Plano Room, Collin County eBid Notification, Collin County

Website, Other

16 Bidder Acknowledgement

Bidder acknowledges, understands the specifications, any _____ (Required) and all addenda, and agrees to the bid terms and conditions and can provide the minimum requirements stated herein. Bidder acknowledges they have read the document in its entirety, visited the site, performed investigations and verifications as deemed necessary, is familiar with local conditions under which work is to be performed and will be responsible for any and all errors in Bid submittal resulting from Bidder's failure to do so. Bidder acknowledges the prices submitted in this Bid have been carefully reviewed and are submitted as correct and final. If Bid is accepted, vendor further certifies and agrees to furnish any and all products upon which prices are extended at the price submitted, and upon conditions in the specifications of the Invitation for Bid.

Please initial.

Line Items

#	Qty	UOM	Description	Response
1	1	linear foot	Typical 47" cattle wire fence 12'	\$ _____ (Required) Price
Item Notes: Price per linear foot for a typical 47" cattle wire fence with one (1) strand barbless horsewire or barbwire (whichever is requested at time of order) using the same bracing and post spacing as in Exhibit "a-2" minus the twisted metal stay, but substituting 47" cattle wire for the bottom four (4) strands of barbwire and fence stays using mixture of both metal and wood posts. Labor and material inclusive.				
Supplier Notes: _____				
2	1	linear foot	Typical five (5) strand barbwire fence per Exhibits B-1	\$ _____ (Required) Price
Item Notes: Price per linear foot for typical five (5) strand barbwire fence per Exhibits B-1, using Exhibit G as corners, 10' on center, using only metal T posts. Labor and materials inclusive.				
Supplier Notes: _____				
3	1	linear foot	Typical five (5) strand barbwire fence per Exhibits B-2	\$ _____ (Required) Price
Item Notes: Price per linear foot for typical five (5) strand barbwire fence per Exhibit B-2, using Exhibit G as corners, 12' on center, using only metal posts. Labor and materials inclusive.				
Supplier Notes: _____				
4	1	linear foot	Typical Five (5) Strand Barbwire Fence per Exhibits B-4, using Exhibit G as corners, 8' on center using only metal T posts.	\$ _____ (Required) Price
Item Notes: Typical Five (5) Strand Barbwire Fence per Exhibits B-4, using Exhibit G as corners, 8' on center using only metal T posts. Labor and materials inclusive.				
Supplier Notes: _____				
5	1		Typical cross fence pull braces using 2 7/8" OD metal pipe (Exhibit G)	\$ _____ (Required) Price
Item Notes: Price per each for typical cross fence pull braces using 2 7/8" OD metal pipe per Exhibit G under 750'. Labor and materials inclusive.				
Supplier Notes: _____				

6 1 linear foot Typical cross fence pull braces using 2 7/8" OD metal pipe (Exhibit H) \$ _____
(Required)
Price

Item Notes: Price per each for typical cross fence pull braces using 2 7/8" OD metal pipe per Exhibit H, over 750'. Labor and materials inclusive.

Supplier Notes: _____

7 1 linear foot Typical cross fence pull braces using 2 7/8" OD metal pipe (Exhibit I) \$ _____
(Required)
Price

Item Notes: Price per each for typical cross fence pull braces using 2 7/8" OD metal pipe per Exhibit I, Pull Brace. Labor and materials inclusive.

Supplier Notes: _____

8 1 linear foot Typical cross fence pull braces using 2 7/8" OD metal pipe (Exhibit K) \$ _____
(Required)
Price

Item Notes: Price per each for typical cross fence pull braces using 2 7/8" OD metal pipe per Exhibit K, Line Post or Radius Post. Labor and materials inclusive.

Supplier Notes: _____

9 1 linear foot Corner braces 90 degrees using 2 7/8" OD metal pipe (Exhibit J) \$ _____
(Required)
Price

Item Notes: Price per each for 90 degrees corner braces using 2 7/8" OD metal pipe per Exhibit J, under 750'. Labor and materials inclusive.
Labor and materials inclusive.

Supplier Notes: _____

10 1 linear foot Welded Pipe Fence, Two (2) Cable Fence \$ _____
(Required)
Price

Item Notes: Price per linear foot for welded pipe fence including all labor and materials per Exhibits G, H, I, K, welded pipe fence using 2 7/8" OD pipe, construction for two (2) rail fence.

Supplier Notes: _____

11 1 linear foot Installing, Maintaining Temporary Electrical Fence (Exhibit D) \$ _____
(Required)
Price

Item Notes: price per linear foot for installing, maintaining temporary electrical fence as shown in Exhibit D. Labor and materials inclusive.

Supplier Notes: _____

12 1 linear foot Removing Temporary Electrical Fence (Exhibit D) \$ _____
(Required)
Price

Item Notes: Price per linear foot for removing temporary electrical fence per Exhibit D. Labor and materials inclusive.

Supplier Notes: _____

13 1 square foot Additional Charge, Construction of the Above Fences in Rocky Conditions \$ _____
(Required)
Price

Item Notes: Additional charges, for construction of the above fences in rocky conditions as determined and verified by Collin County personnel.

Supplier Notes: _____

14 1 linear foot Additional Charge, for Projects Less Than 300 ft of Fence Construction \$ _____
(Required)
Price

Item Notes: Additional charge, if any, for projects requiring less than 300 linear ft. of fence construction.

Supplier Notes: _____

15 1 hour Hourly rate for Installation of Various Fencing Not Herein Listed \$ _____
(Required)
Price

Item Notes: State hourly rate for installation of various fencing not herein listed.

Supplier Notes: _____

16 1

Percent off cost of materials and labor for fencing requests not herein listed

\$ _____
(Required)
Price

Item Notes: Vendor should state the percent off cost of materials and labor for fencing requests not herein listed

Supplier Notes: _____

1.0 GENERAL INSTRUCTIONS

1.0.1 Definitions

1.0.1.1 Bidder: refers to submitter.

1.0.1.2 Vendor/Contractor/Provider: refers to a Successful Bidder/Contractor/Service Provider.

1.0.1.3 Submittal: refers to those documents required to be submitted to Collin County, by a Bidder.

1.0.1.4 IFB: refers to Invitation For Bid.

1.1 If Bidder does not wish to submit an offer at this time, please submit a No Bid.

1.2 Awards shall be made not more than ninety (90) days after the time set for opening of submittals.

1.3 Collin County is always conscious and extremely appreciative of your time and effort in preparing your submittal.

1.4 Collin County exclusively uses ionWave Technologies, Inc. (Collin County eBid) for the notification and dissemination of all solicitations. The receipt of solicitations through any other company may result in your receipt of incomplete specifications and/or addendums which could ultimately render your bid non-compliant. Collin County accepts no responsibility for the receipt and/or notification of solicitations through any other company.

1.5 A bid may not be withdrawn or canceled by the bidder prior to the ninety-first (91st) day following public opening of submittals and only prior to award.

1.6 It is understood that Collin County, Texas reserves the right to accept or reject any and/or all Bids for any or all products and/or services covered in an Invitation For Bid (IFB), and to waive informalities or defects in submittals or to accept such submittals as it shall deem to be in the best interest of Collin County.

1.7 All IFB's submitted in hard copy paper form shall be submitted in a sealed envelope, plainly marked on the outside with the IFB number and name. A hard copy paper form submittal shall be manually signed in ink by a person having the authority to bind the firm in a contract. Submittals shall be mailed or hand delivered to the Collin County Purchasing Department.

1.8 No oral, telegraphic or telephonic submittals will be accepted. IFB's may be submitted in electronic format via Collin County eBid.

1.9 All Invitation For Bids (IFB) submitted electronically via Collin County eBid shall remain locked until official date and time of opening as stated in the Special Terms and Conditions of the IFB.

1.10 Time/date stamp clock in Collin County Purchasing Department shall be the official time of receipt for all Invitation for Bids (IFB) submitted in hard copy paper form. IFB's received in the Collin County Purchasing Department after submission deadline shall be considered void and unacceptable. Absolutely no late submittals will be considered. Collin County accepts no responsibility for technical difficulties related to electronic submittals.

1.11 For hard copy paper form submittals, any alterations made prior to opening date and time must be initialed by the signer of the IFB guaranteeing authenticity. Submittals cannot be altered or amended after submission deadline.

1.12 Collin County is by statute exempt from the State Sales Tax and Federal Excise Tax; therefore, the prices submitted shall not include taxes.

1.13 Any interpretations, corrections and/or changes to an Invitation For Bid, and related Specifications or extensions to the opening/receipt date will be made by addenda to the respective document by the Collin County Purchasing Department. Questions and/or clarification requests must be submitted no later than seven (7) days prior to the opening/receipt date. Those received at a later date may not be addressed prior to the public opening. Sole authority to authorize addenda shall be vested in Collin County Purchasing Agent as entrusted by the Collin County Commissioners' Court. Addenda may be transmitted electronically via Collin County eBid.

1.13.1 Addenda will be transmitted to all that are known to have received a copy of the IFB/RFQ/RFP/RFI/CSP and related Specifications. However, it shall be the sole responsibility of the Bidder/Quoter/Offeror to verify issuance/non-issuance of addenda and to check all avenues of document availability (i.e. **Collin County eBid** <https://collincountytexas.com>, telephoning Purchasing Department directly, etc.) prior to opening/receipt date and time to insure Bidder/Quoter/Offeror's receipt of any addenda issued. Bidder/Quoter/Offeror shall acknowledge receipt of all addenda.

1.14 All materials and services shall be subject to Collin County approval.

1.15 Collin County reserves the right to make award in whole or in part as it deems to be in the best interest of the County.

1.16 Any reference to model/make and/or manufacturer used in specifications is for descriptive purposes only. Products/materials of like quality will be considered.

1.17 Bidders taking exception to the specifications shall do so at their own risk. By offering substitutions, Bidder shall state these exceptions in the section provided in the IFB or by attachment. Exception/substitution, if accepted, must meet or exceed specifications stated therein. Collin County reserves the right to accept or reject any and/or all of the exception(s)/substitution(s) deemed to be in the best interest of the County.

1.19 Minimum Standards for Responsible Prospective Bidders: A prospective Bidder must meet the following minimum requirements:

1.19.1 have adequate financial resources, or the ability to obtain such resources as required;

1.19.2 be able to comply with the required or proposed delivery/completion schedule;

1.19.3 have a satisfactory record of performance;

1.19.4 have a satisfactory record of integrity and ethics;

1.19.5 be otherwise qualified and eligible to receive an award.

Collin County may request documentation and other information sufficient to determine Bidder's ability to meet these minimum standards listed above.

1.20 Vendor shall bear any/all costs associated with it's preparation of an IFB.

1.21 Public Information Act: Collin County is governed by the Texas Public Information Act, Chapter 552 of the Texas Government Code. All information submitted by prospective bidders during the bidding process is subject to release under the Act.

1.22 The Bidder shall comply with Commissioners' Court Order No. 2004-167-03-11, County Logo Policy.

1.23 Interlocal Agreement: Successful bidder agrees to extend prices and terms to all entities that has entered into or will enter into joint purchasing interlocal cooperation agreements with Collin County.

1.24 Bid Openings: All bids submitted will be read at the county's regularly scheduled bid opening for the designated project. However, the reading of a bid at bid opening should be not construed as a comment on the responsiveness of such bid or as any indication that the county accepts such bid as responsive.

The county will make a determination as to the responsiveness of bids submitted based upon compliance with all applicable laws, Collin County Purchasing Guidelines, and project documents, including but not limited to the project specifications and contract documents. The county will notify the successful bidder upon award of the contract and, according to state law; all bids received will be available for inspection at that time.

1.25 Bidder shall comply with all local, state and federal employment and discrimination laws and shall not discriminate against any employee or applicant for employment because of race, color, religion, sex, age, national origin or any other class protected by law.

2.0 TERMS OF CONTRACT

2.1 A bid, when properly accepted by Collin County, shall constitute a contract equally binding between the Vendor/Contractor/Provider and Collin County. No different or additional terms will become part of this contract with the exception of a Change Order.

2.2 No oral statement of any person shall modify or otherwise change, or affect the terms, conditions or specifications stated in the resulting contract. All Amendments and/or Change Orders to the contract will be made in writing by Collin County Purchasing Agent.

2.3 No public official shall have interest in the contract, in accordance with Vernon's Texas Codes Annotated, Local Government Code Title 5, Subtitle C, Chapter 171.

2.4 The Vendor/Contractor/Provider shall comply with Commissioners' Court Order No. 96-680-10-28, Establishment of Guidelines & Restrictions Regarding the Acceptance of Gifts by County Officials & County Employees.

2.5 Design, strength, quality of materials and workmanship must conform to the highest standards of manufacturing and engineering practice.

2.6 Bids must comply with all federal, state, county and local laws concerning the type(s) of product(s)/service(s)/equipment/project(s) contracted for, and the fulfillment of all ADA (Americans with Disabilities Act) requirements.

2.7 All products must be new and unused, unless otherwise specified, in first-class condition and of current manufacture. Obsolete products, including products or any parts not compatible with existing hardware/software configurations will not be accepted.

2.8 Vendor/Contractor/Provider shall provide any and all notices as may be required under the Drug-Free Work Place Act of 1988, 28 CFR Part 67, Subpart F, to its employees and all sub-contractors to insure that Collin County maintains a drug-free work place.

2.9 Vendor/Contractor/Provider shall defend, indemnify and save harmless Collin County and all its officers, agents and employees and all entities, their officers, agents and employees who are participating in this contract from all suits, claims, actions, damages (including personal injury and or property damages), or demands of any character, name and description, (including attorneys' fees, expenses and other defense costs of any nature) brought for or on account of any injuries or damages received or sustained by any person, persons, or property on account of Vendor/Contractor/Provider's breach of the contract arising from an award, and/or any negligent act, error, omission or fault of the Vendor/Contractor/Provider, or of any agent, employee, subcontractor or supplier of Vendor/Contractor/Provider in the execution of, or performance under, any contract which may result from an award. Vendor/Contractor/Provider shall pay in full any judgment with costs, including attorneys' fees and expenses which are rendered against Collin County and/or participating entities arising out of such breach, act, error, omission and/or fault.

2.10 Expenses for Enforcement. In the event either Party hereto is required to employ an attorney to enforce the provisions of this Agreement or is required to commence legal proceedings to enforce the provisions hereof, the prevailing Party shall be entitled to recover from the other, reasonable attorney's fees and court costs incurred in connection with such enforcement, including collection.

2.11 If a contract, resulting from a Collin County IFB is for the execution of a public work, the following shall apply:

2.11.1 In accordance with V.T.C.A. 2253.021, a governmental agency that makes a public work contract with a prime contractor shall require the contractor, before beginning work, to execute to the governmental entity a Payment Bond if the contract is in excess of \$25,000.00. Such bond shall

be in the amount of the contract payable to the governmental entity and must be executed by a corporate surety in accordance with Section 1, Chapter 87, Acts of the 56th Legislature, Regular Session, 1959 (Article 7.19-1 Vernon's Texas Insurance Code).

2.11.2 In accordance with V.T.C.A. 2253.021, a governmental agency that makes a public work contract with a prime contractor shall require the contractor, before beginning work, to execute to the governmental entity a Performance Bond if the contract is in excess of \$100,000.00. Such bond shall be in the amount of the contract payable to the governmental entity and must be executed by a corporate surety in accordance with Section 1, Chapter 87, Acts of the 56th Legislature, Regular Session, 1959 (Article 7.19-1 Vernon's Texas Insurance Code).

2.12 Purchase Order(s) shall be generated by Collin County to the vendor. Collin County will not be responsible for any orders placed/delivered without a valid purchase order number.

2.13 The contract shall remain in effect until any of the following occurs: delivery of product(s) and/or completion and acceptance by Collin County of product(s) and/or service(s), contract expires or is terminated by either party with thirty (30) days written notice prior to cancellation and notice must state therein the reasons for such cancellation. Collin County reserves the right to terminate the contract immediately in the event the Vendor/Contractor/Provider fails to meet delivery or completion schedules, or otherwise perform in accordance with the specifications. Breach of contract or default authorizes the County to purchase elsewhere and charge the full increase in cost and handling to the defaulting Vendor/Contractor/Provider.

2.14 Collin County Purchasing Department shall serve as Contract Administrator or shall supervise agents designated by Collin County.

2.15 All delivery and freight charges (FOB Inside delivery at Collin County designated locations) are to be included as part of the bid price. All components required to render the item complete, installed and operational shall be included in the total bid price. Collin County will pay no additional freight/delivery/installation/setup fees.

2.16 Vendor/Contractor/Provider shall notify the Purchasing Department immediately if delivery/completion schedule cannot be met. If delay is foreseen, the Vendor/Contractor/Provider shall give written notice to the Purchasing Agent. The County has the right to extend delivery/completion time if reason appears valid.

2.17 The title and risk of loss of the product(s) shall not pass to Collin County until Collin County actually receives and takes possession of the product(s) at the point or points of delivery. Collin County shall generate a purchase order(s) to the Vendor/Contractor/Provider and the purchase order number must appear on all itemized invoices.

2.18 Invoices shall be mailed directly to the Collin County Auditor's Office, 2300 Bloomdale Road, Suite 3100, McKinney, Texas 75071. All invoices shall show:

2.18.1 Collin County Purchase Order Number;

2.18.2 Vendor's/Contractor's/Provider's Name, Address and Tax Identification Number;

2.18.3 Detailed breakdown of all charges for the product(s) and/or service(s) including applicable time frames.

2.19 Payment will be made in accordance with V.T.C.A., Government Code, Title 10, Subtitle F, Chapter 2251.

2.20 All warranties shall be stated as required in the Uniform Commercial Code.

2.21 The Vendor/Contractor/Provider and Collin County agree that both parties have all rights, duties, and remedies available as stated in the Uniform Commercial Code.

- 2.22 The Vendor/Contractor/Provider agree to protect Collin County from any claims involving infringements of patents and/or copyrights.
- 2.23 The contract will be governed by the laws of the State of Texas. Should any portion of the contract be in conflict with the laws of the State of Texas, the State laws shall invalidate only that portion. The remaining portion of the contract shall remain in effect. The contract is performable in Collin County, Texas.
- 2.24 The Vendor/Contractor/Provider shall not sell, assign, transfer or convey the contract, in whole or in part, without the prior written approval from Collin County.
- 2.25 The apparent silence of any part of the specification as to any detail or to the apparent omission from it of a detailed description concerning any point, shall be regarded as meaning that only the best commercial practices are to prevail. All interpretations of the specification shall be made on the basis of this statement.
- 2.26 Vendor/Contractor/Provider shall not fraudulently advertise, publish or otherwise make reference to the existence of a contract between Collin County and Vendor/Contractor/Provider for purposes of solicitation. As exception, Vendor/Contractor/Provider may refer to Collin County as an evaluating reference for purposes of establishing a contract with other entities.
- 2.27 The Vendor/Contractor/Provider understands, acknowledges and agrees that if the Vendor/Contractor/Provider subcontracts with a third party for services and/or material, the primary Vendor/Contractor/Provider (awardee) accepts responsibility for full and prompt payment to the third party. Any dispute between the primary Vendor/Contractor/Provider and the third party, including any payment dispute, will be promptly remedied by the primary vendor. Failure to promptly render a remedy or to make prompt payment to the third party (subcontractor) may result in the withholding of funds from the primary Vendor/Contractor/Provider by Collin County for any payments owed to the third party.
- 2.28 Vendor/Contractor/Provider shall provide Collin County with diagnostic access tools at no additional cost to Collin County, for all Electrical and Mechanical systems, components, etc., procured through this contract.
- 2.29 Criminal History Background Check: If required, ALL individuals may be subject to a criminal history background check performed by the Collin County Homeland Security prior to access being granted to Collin County. Upon request, Vendor/Contractor/Provider shall provide list of individuals to Collin County Purchasing Department within five (5) working days.
- 2.30 Non-Disclosure Agreement: Where applicable, vendor shall be required to sign a non-disclosure agreement acknowledging that all information to be furnished is in all respects confidential in nature, other than information which is in the public domain through other means and that any disclosure or use of same by vendor, except as provided in the contract/agreement, may cause serious harm or damage to Collin County. Therefore, Vendor agrees that Vendor will not use the information furnished for any purpose other than that stated in contract/agreement, and agrees that Vendor will not either directly or indirectly by agent, employee, or representative disclose this information, either in whole or in part, to any third party, except on a need to know basis for the purpose of evaluating any possible transaction. This agreement shall be binding upon Collin County and Vendor, and upon the directors, officers, employees and agents of each.
- 2.31 Vendors/Contractors/Providers must be in compliance with the Immigration and Reform Act of 1986 and all employees specific to this solicitation must be legally eligible to work in the United States of America.
- 2.32 Certification of Eligibility: This provision applies if the anticipated Contract exceeds \$100,000.00 and as it relates to the expenditure of federal grant funds. By submitting a bid or proposal in response to this solicitation, the Bidder certifies that at the time of submission, he/she is not on the Federal Government's list of suspended, ineligible, or debarred contractors. In the event of placement on the list between the time of bid/proposal submission and time of award, the Bidder will notify the Collin County Purchasing Agent. Failure to do so may result in terminating this contract for default.

2.33 Notice to Vendors/Contractors/Providers delivering goods or performing services within the Collin County Detention Facility: The Collin County Detention Facility houses persons who have been charged with and/or convicted of serious criminal offenses. When entering the Detention Facility, you could: (1) hear obscene or graphic language; (2) view partially clothed male inmates; (3) be subjected to verbal abuse or taunting; (4) risk physical altercations or physical contact, which could be minimal or possibly serious; (5) be exposed to communicable or infectious diseases; (6) be temporarily detained or prevented from immediately leaving the Detention Facility in the case of an emergency or “lockdown”; and (7) subjected to a search of your person or property. While the Collin County Sheriff’s Office takes every reasonable precaution to protect the safety of visitors to the Detention Facility, because of the inherently dangerous nature of a Detention Facility and the type of the persons incarcerated therein, please be advised of the possibility of such situations exist and you should carefully consider such risks when entering the Detention Facility. By entering the Collin County Detention Facility, you acknowledge that you are aware of such potential risks and willingly and knowingly choose to enter the Collin County Detention Facility.

2.34 Delays and Extensions of Time when applicable:

2.34.1 If the Vendor/Contractor/Provider is delayed at any time in the commence or progress of the Work by an act or neglect of the Owner or Architect/Engineer, or of an employee of either, or of a separate contractor employed by the Owner, or by changes ordered in the Work, or by labor disputes, fire, unusual delay in deliveries, unavoidable casualties or other causes beyond the Vendor/Contractor/Provider's control, or by delay authorized by the Owner pending mediation and arbitration, or by other causes which the Owner or Architect/Engineer determines may justify delay, then the Contract Time shall be extended by Change Order for such reasonable time as the Owner/Architect may determine.

2.34.2 If adverse weather conditions are the basis for a Claim for additional time, such Claim shall be documented by data substantiating that weather conditions were abnormal for the period of time and could not have been reasonably anticipated, and that the weather conditions had an adverse effect on the scheduled construction.

2.35 Disclosure of Certain Relationships: Chapter 176 of the Texas Local Government Code requires that any vendor considering doing business with a local government entity disclose the vendor’s affiliation or business relationship that might cause a conflict of interest with a local government entity. Subchapter 6 of the code requires a vendor to file a conflict of interest questionnaire (CIQ) if a conflict exists. By law this questionnaire must be filed with the records administrator of Collin County no later than the 7th business day after the date the vendor becomes aware of an event that requires the statement to be filed. A vendor commits an offense if the vendor knowingly violates the code. An offense under this section is a misdemeanor. By submitting a response to this request, the vendor represents that it is in compliance with the requirements of Chapter 176 of the Texas Local Government Code. Please send completed forms to the Collin County County Clerk's Office located at 2300 Bloomdale Rd., Suite 2104, McKinney, TX 75071.

2.36 Disclosure of Interested Parties: Section 2252.908 of the Texas Government Code requires a business entity entering into certain contracts with a governmental entity to file with the governmental entity a disclosure of interested parties at the time the business entity submits the signed contract to the governmental entity. Section 2252.908 requires the disclosure form (Form 1295) to be signed by the authorized agent of the contracting business entity, acknowledging that the disclosure is made under oath and under penalty of perjury. Section 2252.908 applies only to a contract that requires an action or vote by the governing body of the governmental entity before the contract may be signed or has a value of at least \$1 million. Section 2252.908 provides definitions of certain terms occurring in the section. Section 2252.908 applies only to a contract entered into on or after January 1, 2016.

NOTE: All other terms and conditions (i.e. Insurance Requirements, Bond Requirements, etc.) shall be stated in the individual IFB Solicitation documents as Special Terms, Conditions and Specifications.

3.0 INSURANCE REQUIREMENTS

3.1 Before commencing work, the vendor shall be required, at its own expense, to furnish the Collin County Purchasing Agent with certified copies of all insurance certificate(s) indicating the coverage to remain in force throughout the term of this contract.

3.1.1 **Commercial General Liability** insurance including but not limited to the coverage indicated below. Coverage shall not exclude or limit Products/Completed Operations, Contractual Liability, or Cross Liability. Coverage must be written on occurrence form.

- Each Occurrence: \$1,000,000
- Personal Injury & Adv. Injury: \$1,000,000
- Products/Completed Operation Aggregate: \$2,000,000
- General Aggregate: \$2,000,000

3.1.2 **Workers Compensation** insurance as required by the laws of Texas, and Employers' Liability.

Employers' Liability

- Liability, Each Accident: \$500,000
- Disease-Each Employee: \$500,000
- Disease – Policy Limit: \$500,000

3.1.3 **Commercial Automobile Liability** insurance which includes any automobile (owned, non-owned, and hired vehicles) used in connection with the contract.

- Combined Single Limit – Each Accident: \$1,000,000

3.2 With reference to the foregoing insurance requirement, the vendor shall endorse applicable insurance policies as follows:

3.2.1 A waiver of subrogation in favor of Collin County, its officials, employees, volunteers and officers shall be provided for General Liability, Commercial Automobile Liability, and Workers' Compensation.

3.2.2 The vendor's insurance coverage shall name Collin County as additional insured under the General Liability policy.

3.2.3 All insurance policies shall be endorsed to require the insurer to immediately notify Collin County of any decrease in the insurance coverage limits.

3.2.4 All insurance policies shall be endorsed to the effect that Collin County will receive at least thirty (30) days notice prior to cancellation, non-renewal or termination of the policy.

3.2.5 All copies of Certificates of Insurance shall reference the project/contract number.

3.3 All insurance shall be purchased from an insurance company that meets the following requirements:

3.3.1 A financial rating of A-VII or higher as assigned by the BEST Rating Company or equivalent.

3.4 Certificates of Insurance shall be prepared and executed by the insurance company or its authorized agent, and shall contain provisions representing and warranting the following:

3.4.1 Sets forth all endorsements and insurance coverages according to requirements and instructions contained herein.

3.4.2 Sets forth the notice of cancellation or termination to Collin County.

4.0 SPECIAL CONDITIONS AND SPECIFICATIONS

- 4.1 Authorization: By order of the Commissioners' Court of Collin County, Texas sealed bids will be received for **Services: Fencing, Labor & Materials, All Inclusive, IFB 2017-279.**
- 4.2 Purpose: Collin County is seeking bids for Fencing: Labor and Materials including but not limited to wire fence, electrical fence, steel pipe and steel panel water gaps, welded pipe fence and sign posts.
- 4.3 Term: Provide for a term contract commencing on October 1, 2017, and continuing through and including September 30, 2018, with the option to exercise three (3) additional one year terms.
- 4.3.1 Transitional Period: Upon normal completion of this contract, not to include termination for default, and in the event that no new contract has been awarded by the original expiration date of the existing contract including any extension thereof, it shall be incumbent upon the Vendor to continue the contract under the same terms and conditions until a new contract can be completely operational. At no time shall this transition period extend more than ninety (90) days beyond the original expiration date of the existing contract and any extension thereof.
- 4.4 Funding: Funds for payment have been provided through the Collin County budget approved by the Commissioners' Court for this fiscal year only. State of Texas statutes prohibit the County from any obligation of public funds beyond the fiscal year for which a budget has been approved. Therefore, anticipated orders or other obligations that may arise past the end of the current Collin County fiscal year shall be subject to budget approval.
- 4.5 Price Reduction: If during the life of the contract, the vendor's net prices to its customers for the same product(s) and/or services shall be reduced below the contracted price, it is understood and agreed that the County shall receive such price reduction.
- 4.6 Price Redetermination: A price redetermination may be considered by Collin County only at the twelve (12) month, twenty-four (24) and thirty-six (36) month anniversary date of the contract. All requests for price redetermination shall be in written form and shall include documents supporting price redetermination such as Manufacturer's direct cost, postage rates, Railroad Commission rates, Federal/State minimum wage law, Federal/State unemployment taxes, F.I.C.A, Insurance Coverage Rates, etc.. The bidder's past experience of honoring contracts at the bid price will be an important consideration in the evaluation of the lowest and best bid. Collin County reserves the right to accept or reject any/all of the price redetermination as it deems to be in the best interest of the County.
- 4.7 Approximate Usage: Estimated value of this contract is \$250,000.00. Approximate usage does not constitute an order, but only implies the probable quantity the County may use. Collin County will request a quote from vendor on each fencing job required. All quotes

will outline in detail the work to be performed and shall reference the matching line items priced on this bid for all work to be performed.

- 4.8 Fencing Construction Not Herein Listed: Should any unforeseen circumstances arise during the contract period, the County may require fencing construction not listed herein. Collin County will request pricing from vendor on a project by project basis should this occur. Line items for such occurrences have been listed for pricing in this bid to reflect the cost per hour for installation, other than those outlined in other line items, as well as a percent off any additional labor and materials required to perform the job.
- 4.9 Rocky Conditions is interpreted as pushing T-Posts to maximum depth and in the process encountering a solid rock base on a consistent basis throughout the project. Rocky conditions must be immediately identified by the Contractor and confirmed by Collin County personnel upon discovery. In the event of inconsistent or extreme terrain conditions as determined by County personnel, guidance will be provided to the contractor.
- 4.10 THE SPECIFICATIONS listed below are minimum requirements for standard fencing material and are intended to govern, in general, the size and type of fencing material required for use on Collin County projects.
 - 4.10.1 All wood posts shall be pressure treated, CCA, (wolmanized).
 - 4.10.2 Metal T Posts (Green/Orange) shall be 6 ½' long at 1.33 lbs per foot.
 - 4.10.3 Barbwire, Domestic 12 ½ gauge, double strand, minimum 2 barb, Diamond Head, Red Brand, Sheffield or equal.
 - 4.10.4 Barbless horse wire, Domestic 12 ½ gauge, double strand, Diamond Head, Red Brand, Sheffield or equal.
 - 4.10.5 Cattle Wire, Domestic 12 ½ gauge, 47" x 330' roll, 6" mesh, Diamond Head, Red Brand, Sheffield or equal.
 - 4.10.6 Field Fence, Hog Wire, Domestic 12 ½ gauge with 11 gauge wire on top and bottom in heights of 35" or 47" inches and lengths of 20 rods or 323 feet, Red Brand, Sheffield or CF&I or equal.
 - 4.10.7 Bull Wire, V mesh, 12 ½ gauge with 11 gauge wire on top and bottom in heights of 50" or 58" and lengths of 10 rods or 161 feet, Red Brand, Sheffield or CF&I or equal.
 - 4.10.8 Wire Stays, 48", minimum 9 gauge twisted.
 - 4.10.9 Staples, 9 gauge, 1", 1 1/4" and 1 1/2".
 - 4.10.10 Gate, panel, 48" high, heavy duty, wire filled, minimum 12 gauge with latch and hinges. Lengths: 4', 6', 8', 10', 12', 14', and 16' (i.e. Priefert, Powder River, Farm Master or equal).
 - 4.10.11 Gate, pipe 48" high, minimum 16 gauge construction, chain latch and adjustable hinges. Lengths: 4', 8', 10', 12', 14' and 16' (i.e. Priefert, Powder River, Farm Master or equal).
 - 4.10.12 All pipe shall be Schedule 40, 2 7/8 OD Pipe.
 - 4.10.13 Bidder shall install five (5) wire clips at each metal post and minimum of five (5) staples at each wood post.

- 4.11 All electrical hot wire fencing and materials shall be provided and maintained by the contractor. Maintenance shall consist of regular checking to ensure continuous operation. Contractor shall ensure all vegetation remains clear of wire fencing. Controls shall be applied to maintain vegetation growth to 12” from bottom wire and 12” on both sides of the fencing of the fencing area. Upon notification to the contractor of a non-operational fence the contractor shall respond to the site identified within 2 hours assess the situation and report immediately to the County personnel status and any corrective action taken to resolve the issue. Contractor shall be held liable for any damages or loss of property resulting from non operational equipment, improper installation or lack of maintenance of fencing.
- 4.12 Collin county personnel will provide drawings identifying the location of new fencing to be installed for each project at the issuance of a valid order. Contractor will be required to provide a detailed estimate of materials, labor and cost based on the agreed contract pricing. Contractor will submit the estimate to the County for final approval prior to issuance or order. Any deviation from the agreed original estimate must be approved in writing by County personnel.

4.13 LABOR & MATERIALS

4.13.1 Labor & Materials to include but not limited to, construction of wire fence, electrical fence, steel panel and steel pipe water gaps, welded pipe fence, entrance treatment and fencing variation requirements.

4.13.1.1 Pricing shall be submitted by linear foot and shall include installation of gates, all materials and labor.

4.13.1.2. Bidder’s price for welded pipe fence construction shall include all labor and materials.

4.13.2 Construction: Material specifications listed in Article 4.10 of this IFB shall be in accordance with exhibits below. (See Attached) Not all attachments are specifically listed in the line items but are included for informational purposes of fencing requests that are under line item 16.

4.13.2.1 - “A”, Typical 5 Wire Fence.

4.13.2.2 - “A-1”, 2-7/8 Inch Outside Diameter Pipe Fence Detail, 10’ Span with One Stay.

4.13.2.3 - “A-2” - 2-2/7 Inch Outside Diameter Pipe Fence Detail, 12’ Span with One Stay.

4.13.2.4 - “A-3” - 2-7/8 Inch Outside Diameter Pipe Fence Detail, 20’ Span with Two Stays.

4.13.2.5 - “B-1” -6’ - 6” Steel “T” Post 1.33 Lb. per Ft. Orange/Green Fence Detail, 10’ Span with One Stay.

4.13.2.6 - “B-2”- 6’ - 6” Steel “T” Post 1.33 Lb. per Ft. Orange/Green Fence Detail, 12’ Span with One Stay.

4.13.2.7 - “B-3”- 6’ – 6” Steel “T” Post 1.33 Lb. per Ft. Orange/Green Fence Detail, 20’ Span with Two Stays.

- 4.13.2.8 - "C" - Typical Wood Cross Fence Pull Braces.
- 4.13.2.9 - "C-1"- 4" Dia. Treated Wood "T" Post Fence Detail, 10' Span with One Stay.
- 4.13.2.10 - "C-2"- 4" Dia. Treated Wood T" Post Fence Detail, 12' Span with One Stay.
- 4.13.2.11 - "C-3", 4" Dia. Treated Wood "T" Post Fence Detail, 20' Span with Two Stays.
- 4.13.2.12 - "D", Typical Temporary Electric Fence Detail.
- 4.13.2.13 - "E", Steel Pipe Water Gap.
- 4.13.2.14 - "F", Steel Panel Water Gap.
- 4.13.2.15 - "G", 2-7/8 Inch Outside Diameter Pipe Fence Detail.
- 4.13.2.16 - "H", 2-7/8 Inch Outside Diameter Pipe Fence Detail Over 750-Feet.
- 4.13.2.17 - "I", 2-7/8 Inch Outside Diameter Pipe Fence Detail.
- 4.13.2.18 - "J", 2-7/8 Inch Outside Diameter Pipe Fence Detail Under 750-Feet.
- 4.13.2.19 - "K", 2-7/8 Inch Outside Diameter Pipe Fence Detail.
- 4.13.2.20 - "L", 2-7/8 Inch Outside Diameter Pipe Fence Detail Over 750-Feet.
- 4.13.2.21 - "N", 2-7/8 Inch Outside Diameter Pipe Fence Detail Under 750-Feet.
- 4.13.2.22 - "P", 2-7/8 Inch Outside Diameter Pipe Fence Detail.
- 4.13.2.23 - "Q", 2-7/8 Inch Outside Diameter Pipe Fence Detail Under 750-Feet.

- 4.14 Warranty: The warranty period for the construction of the various fences shall be a minimum of one year.
- 4.15 Commencement/Completion Time: Construction of fences shall begin within two weeks after receipt of order based on favorable weather conditions. Each individual job must be scheduled with the appropriate Collin County Road Maintenance Supervisor prior to beginning work on the project/purchase. Vendor shall be able to complete a mile of fence within ten (10) working days based on favorable weather conditions.
- 4.16 Bonds: The Contractor shall post with Owner, not later than ten (10) consecutive calendar days of Collin County Commissioners' Court award of Contract, a **Payment Bond if contract is over \$25,000 and a Performance Bond if the contract is over \$100,000**, in the amount of one hundred percent (100%) of the total contract price in such form as is satisfactory to Owner, in compliance with Chapter 2253 of the Texas Government Code and all other applicable Texas Law, and on the form specified in the Contract Documents. This bond shall be executed by a corporate surety company duly authorized and admitted to do business in the State of Texas and licensed to issue such a bond in the State of Texas. The Contractor shall notify its corporate surety of any Contract changes.
- 4.17 Subcontractors: Vendor shall state names of all subcontractors and the type of work they will be performing. If a Vendor fails to specify a subcontractor, then he shall be deemed to have agreed that he is fully qualified to perform the contract himself, and that he will fully perform the contract himself.

No Vendor whose bid is accepted shall (a) substitute any subcontractor, or (b) permit a subcontract to be voluntarily assigned or transferred or allow it to be performed

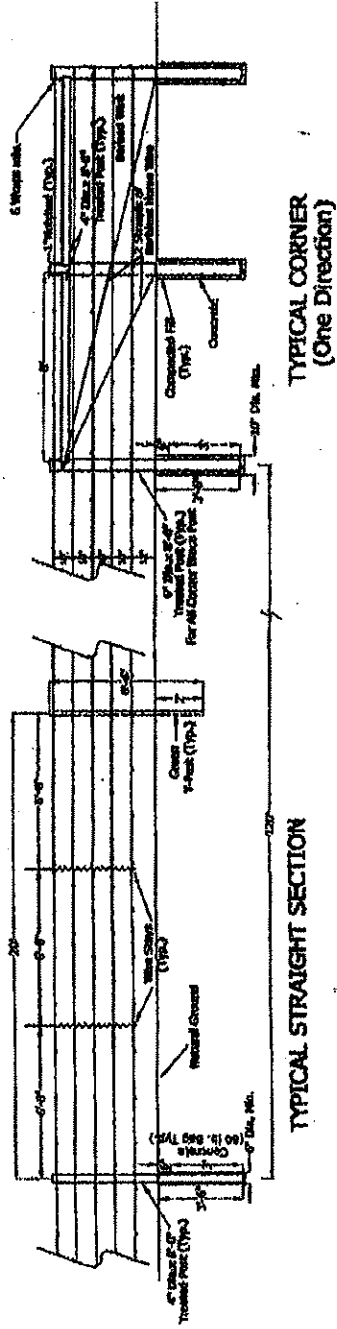
by anyone other than the original subcontractor listed in the original bid without approval in writing from the Collin County Purchasing Department.

The successful Vendor further agrees that Collin County and its agents, servants and employees shall not be liable for any loss or damage resulting from personal injury, physical loss, harassment of or discrimination against employee or other violations of the provisions of this contract occasioned by the acts or omissions of the successful Contractor's sub-contractors, their agents or employees. The indemnification provisions of this contract shall apply to all sub-contractors.

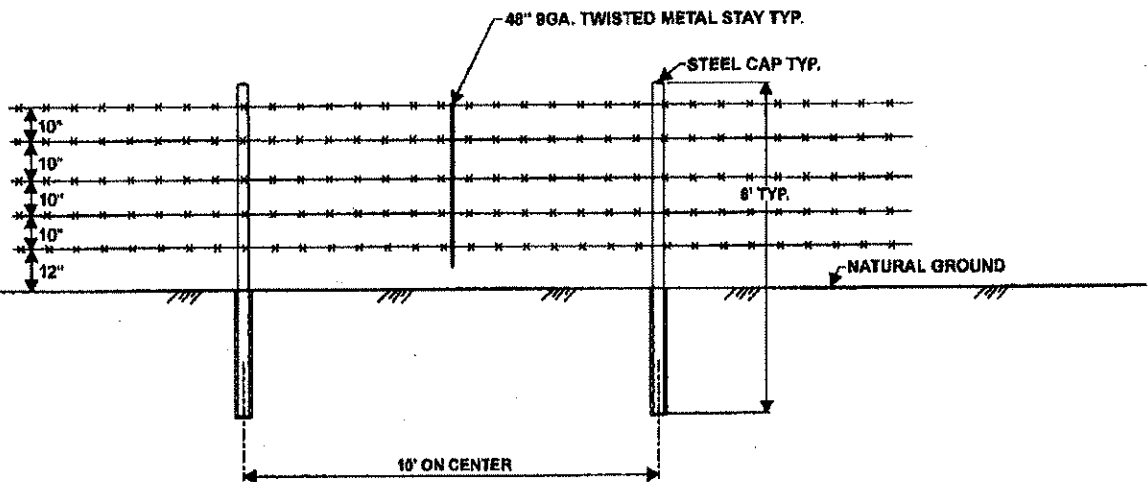
- 4.18 Payment for the work specified herein will be made on the pertinent Purchase Order, after completion and acceptance of required paperwork, at the unit prices specified in the pricing schedule. All signed paperwork should be attached to the Purchase Order upon which payment is being requested. **Invoices must be fully documented as to labor and materials provided and must reference the Collin County Purchase Order Number in order to be processed. No payments shall be made on invoices not listing the proper Purchase Order Number and not having signature of the Collin County receiving party on delivery tickets being invoiced.**

Exhibit "A"

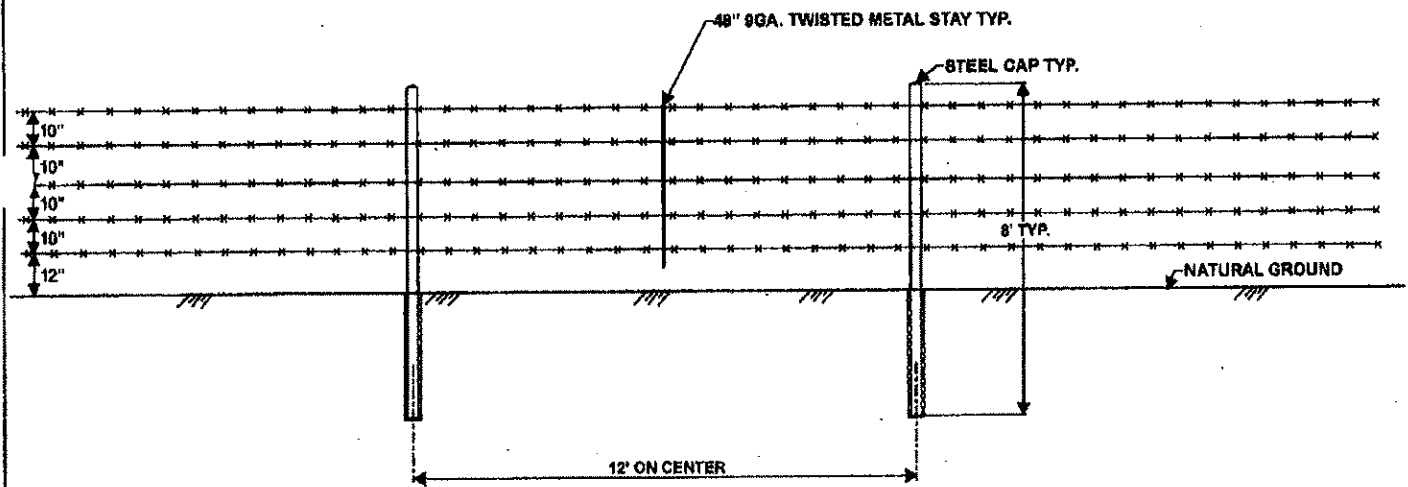
TYPICAL 5 WIRE FENCE NOT TO SCALE



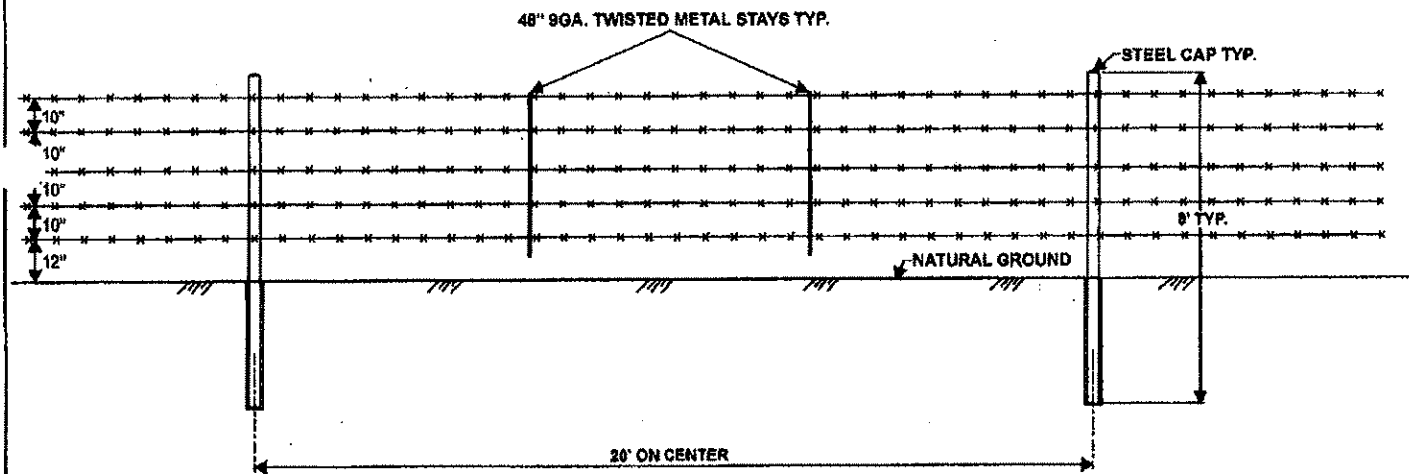
2-7/8 INCH OUTSIDE DIAMETER PIPE FENCE DETAIL
10' SPAN WITH ONE STAY
EXHIBIT "A-1"



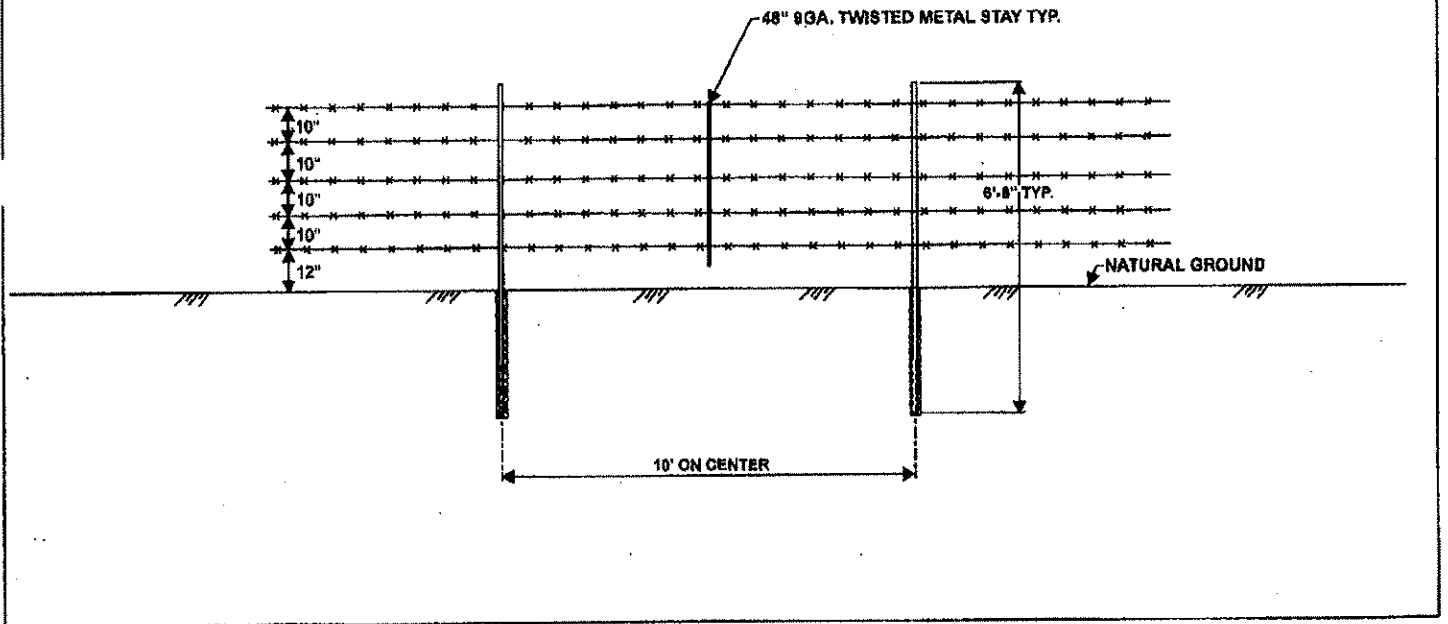
2-7/8 INCH OUTSIDE DIAMETER PIPE FENCE DETAIL
12' SPAN WITH ONE STAY
EXHIBIT "A-2"



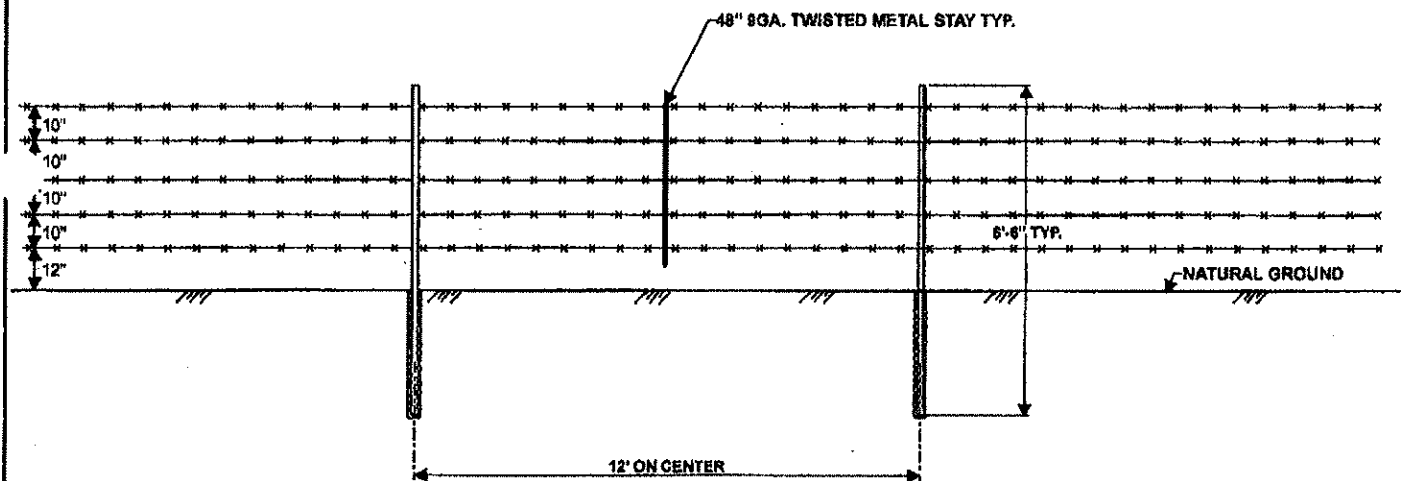
2-7/8 INCH OUTSIDE DIAMETER PIPE FENCE DETAIL
20' SPAN WITH TWO STAYS
EXHIBIT "A-3"



**6'-6" STEEL "T" POST 1.33 LB PER FT. ORANGE/GREENFENCE DETAIL
10' SPAN WITH ONE STAY
EXHIBIT "B-1"**

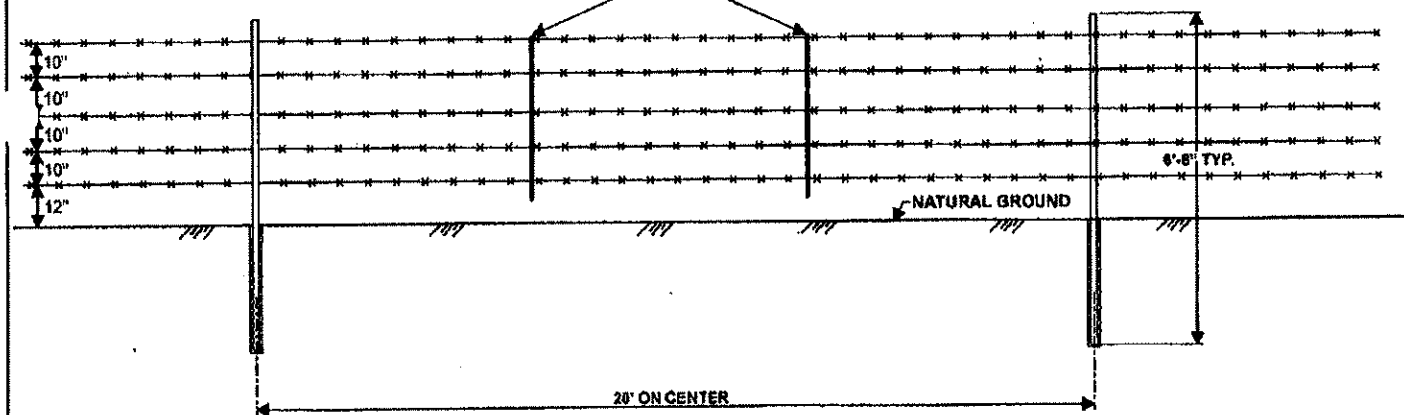


**6'-6" STEEL "T" POST 1.33 LB PER FT. ORANGE/GREEN FENCE DETAIL
12' SPAN WITH ONE STAY
EXHIBIT "B-2"**

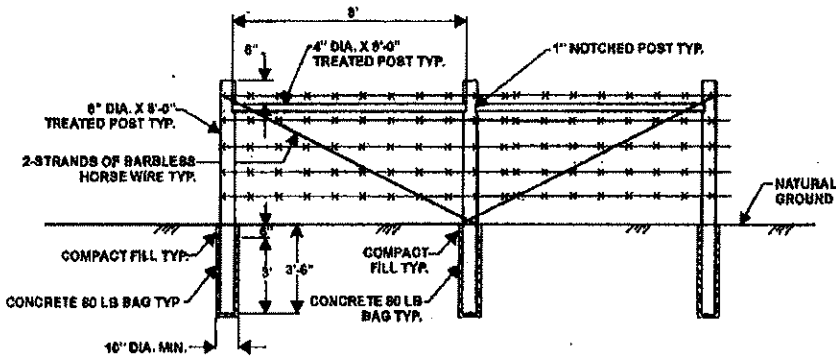


**6'-6" STEEL "T" POST 1.33 LB PER FT. ORANGE/GREEN FENCE DETAIL
20' SPAN WITH TWO STAYS
EXHIBIT "B-3"**

48" 8GA. TWISTED METAL STAYS TYP.



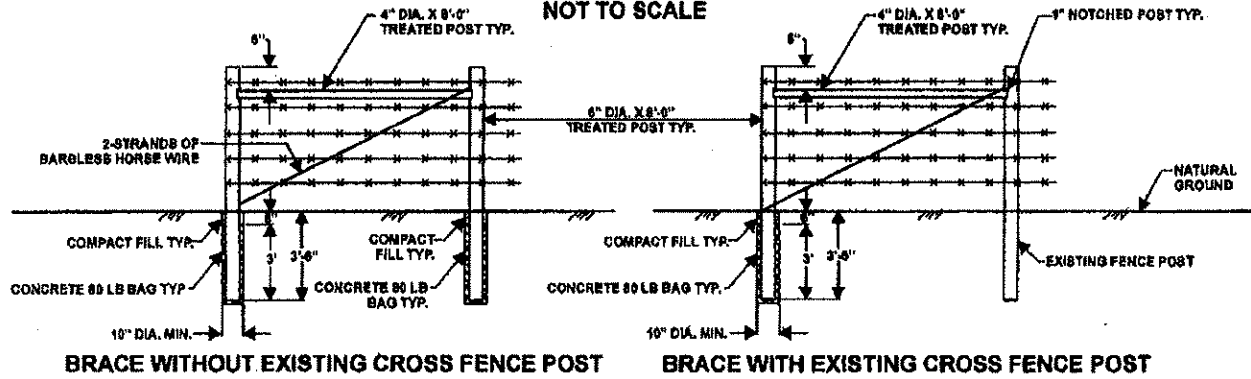
**TYPICAL WOOD PULL BRACE
NOT TO SCALE**



NOTE: PULL BRACES WILL BE CONSTRUCTED WHERE REQUIRED - TO TOP OF HILLS, AT WATER GAPS OR EVERY 800' MAXIMUM, AS DETERMINED BY COLLIN COUNTY

NOTE: THE NUMBER AND TYPE OF EXISTING FENCE WIRE STRANDS VARIES; CONTRACTOR IS REQUIRED TO TIE INTO EXISTING FENCE.

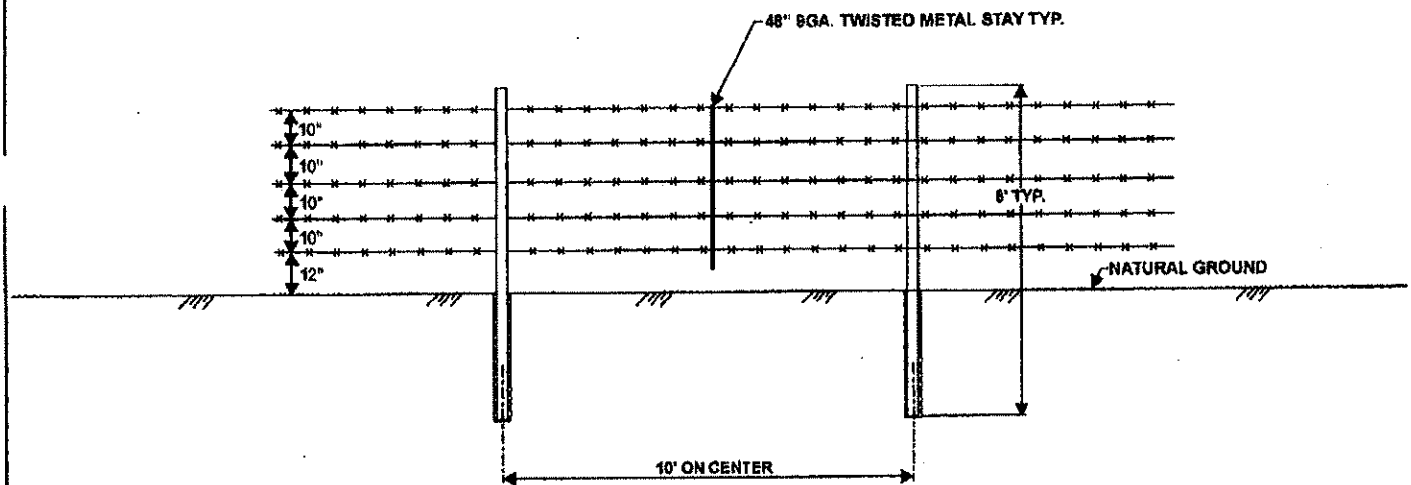
**TYPICAL WOOD CROSS FENCE PULL BRACES
EXHIBIT "C"
NOT TO SCALE**



BRACE WITHOUT EXISTING CROSS FENCE POST

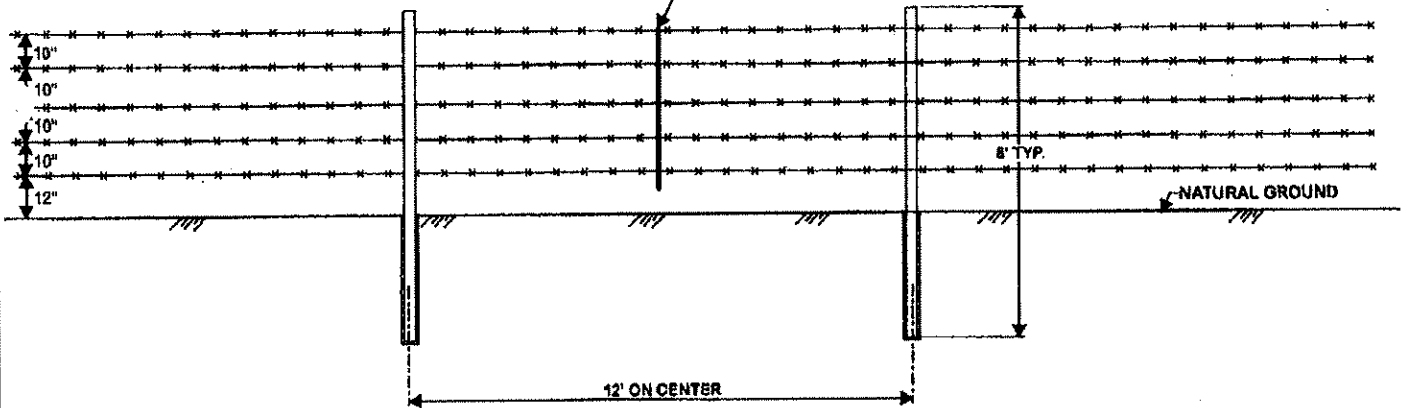
BRACE WITH EXISTING CROSS FENCE POST

**4" DIA. TREATED WOOD "T" POST FENCE DETAIL
10' SPAN WITH ONE STAY
EXHIBIT "C-1"**

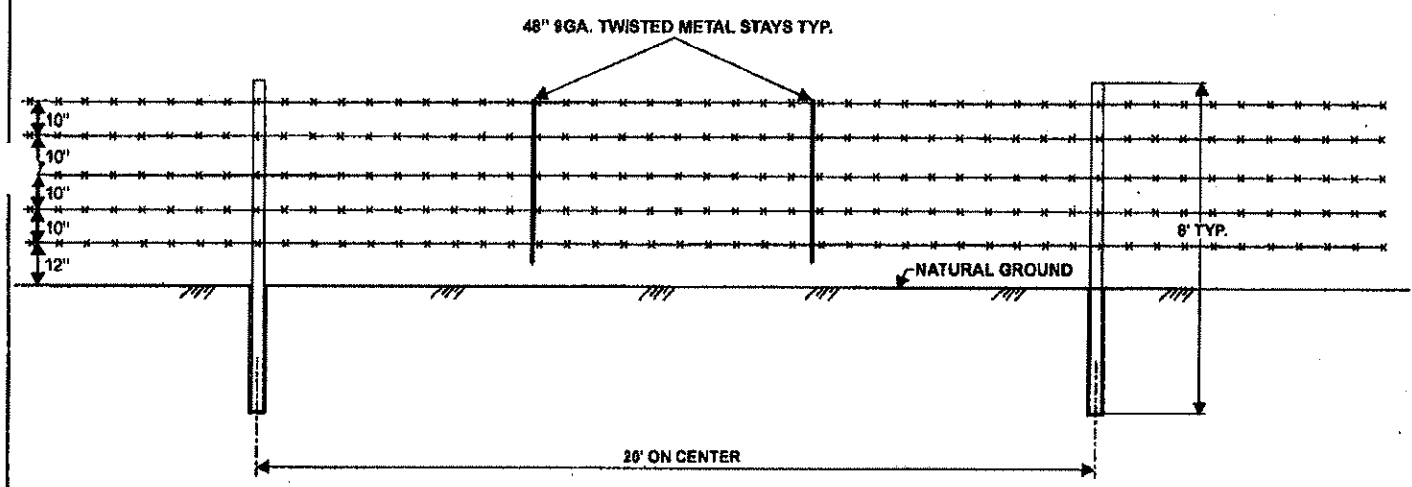


**4" DIA. TREATED WOOD "T" POST FENCE DETAIL
12' SPAN WITH ONE STAY
EXHIBIT "C-2"**

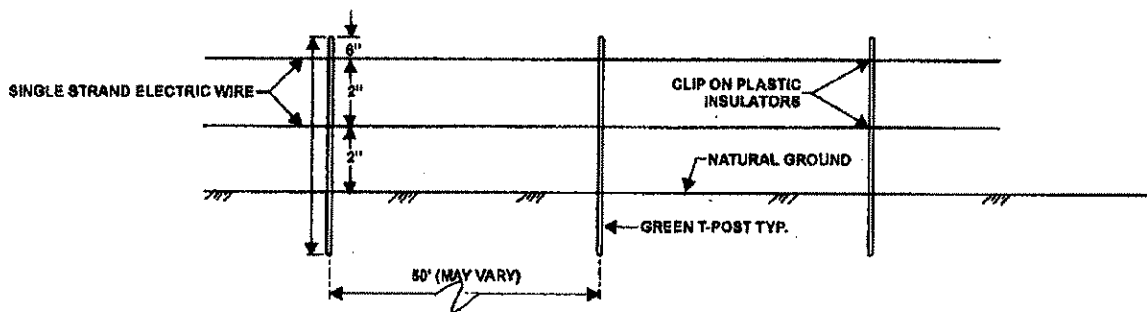
48" 9GA. TWISTED METAL STAY TYP.



**4" DIA. TREATED WOOD "T" POST FENCE DETAIL
20' SPAN WITH TWO STAYS
EXHIBIT "C-3"**



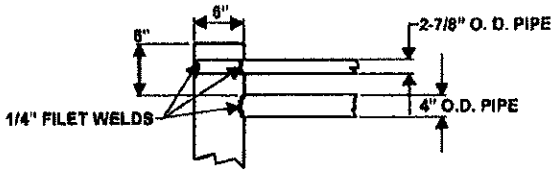
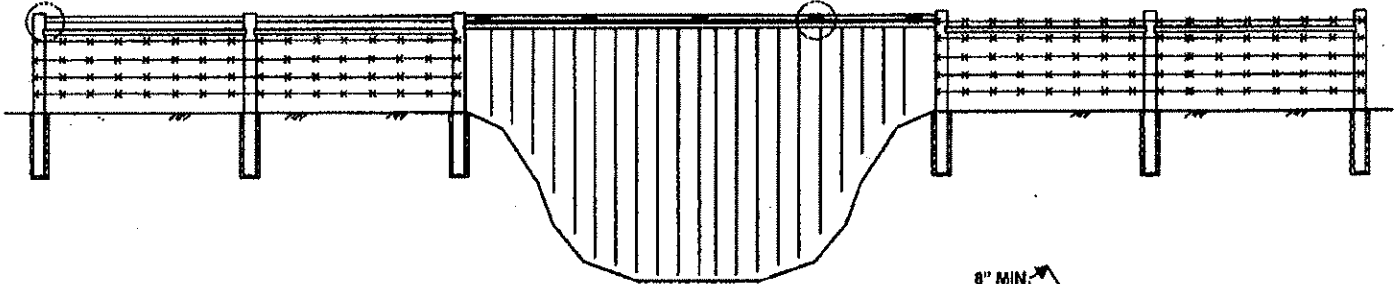
TYPICAL TEMPORARY ELECTRIC FENCE DETAIL
NOT TO SCALE
EXHIBIT "D"



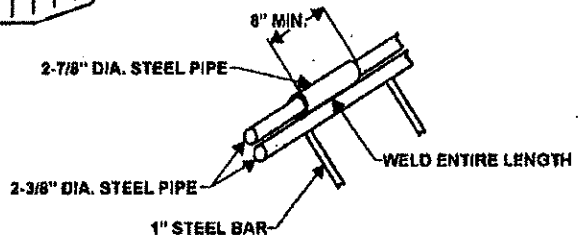
STEEL PIPE WATER GAP
EXHIBIT "E"
NOT TO SCALE

DETAIL
"A"

DETAIL
"B"

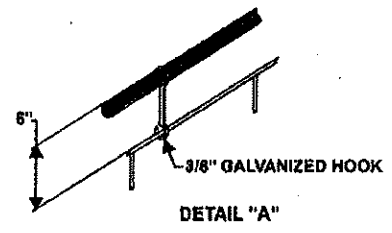
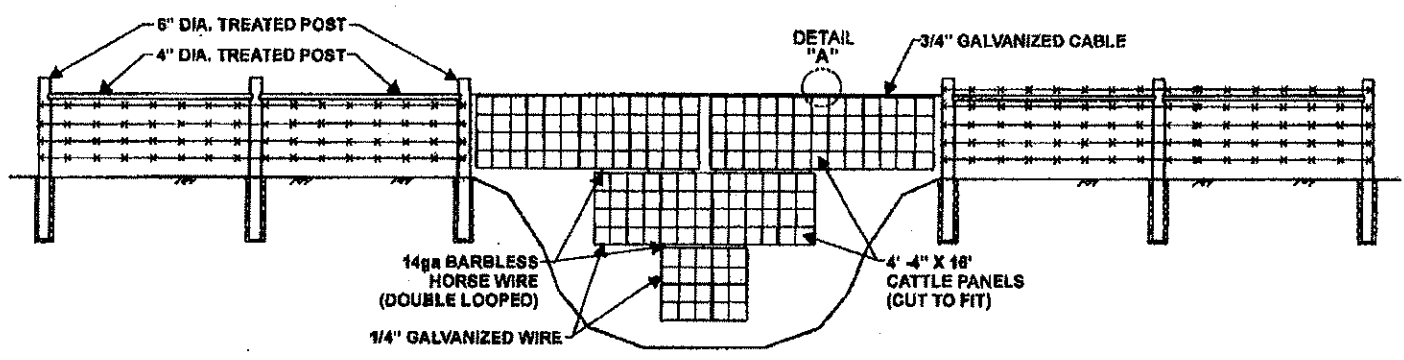


DETAIL "A"



DETAIL "B"

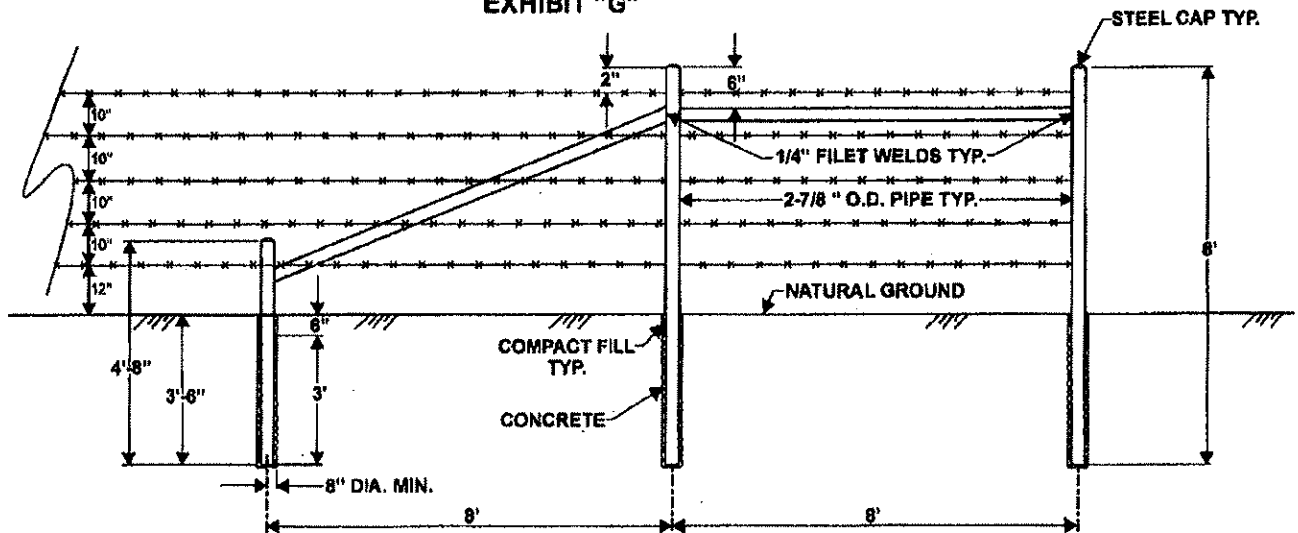
**STEEL PANEL WATER GAP
EXHIBIT "F"
NOT TO SCALE**



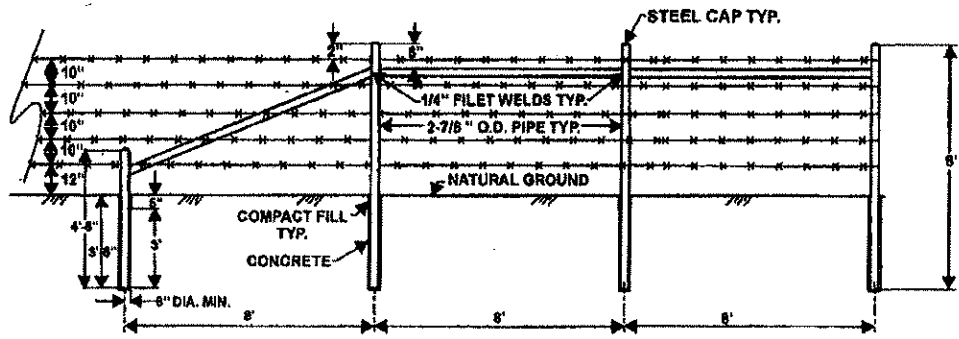
2-7/8 INCH OUTSIDE DIAMETER PIPE FENCE DETAIL

TYPICAL CROSS FENCE BRACE

EXHIBIT "G"



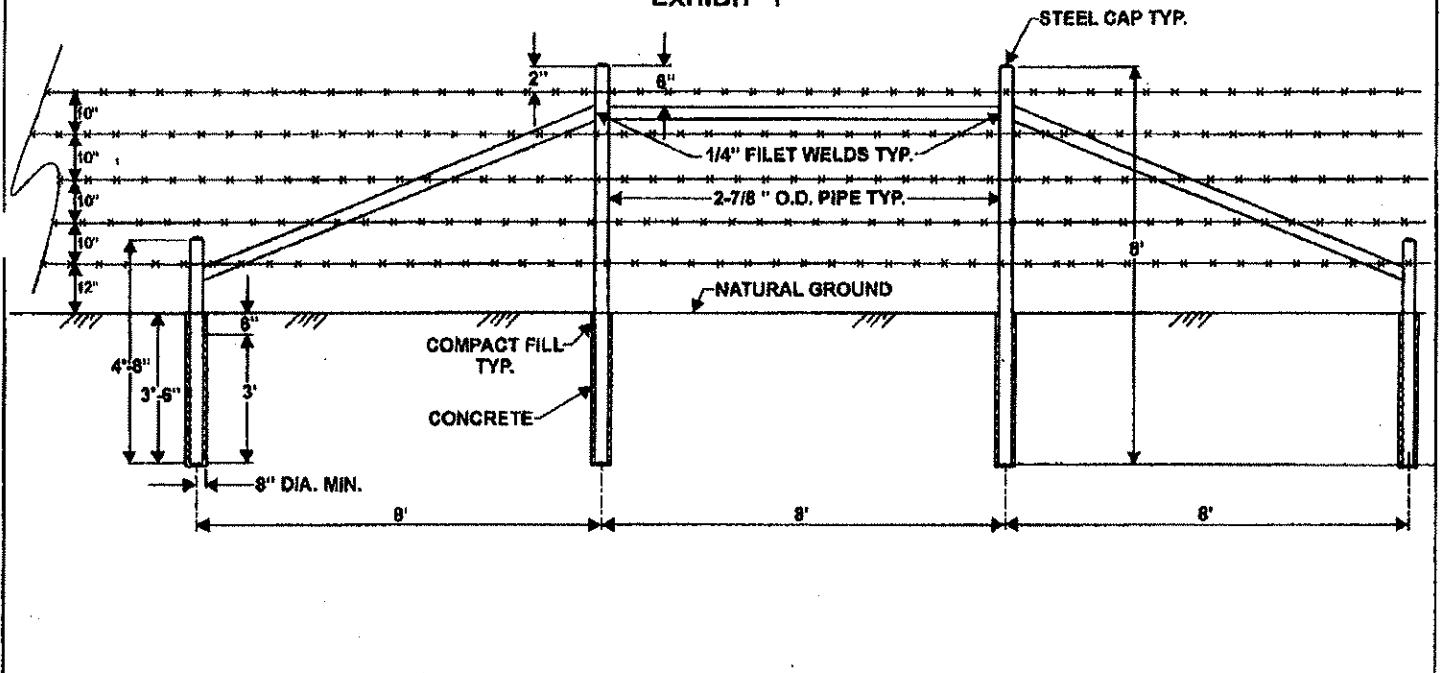
2-7/8 INCH OUTSIDE DIAMETER PIPE FENCE DETAIL OVER 750-FEET
 NOT TO SCALE
 EXHIBIT "H"



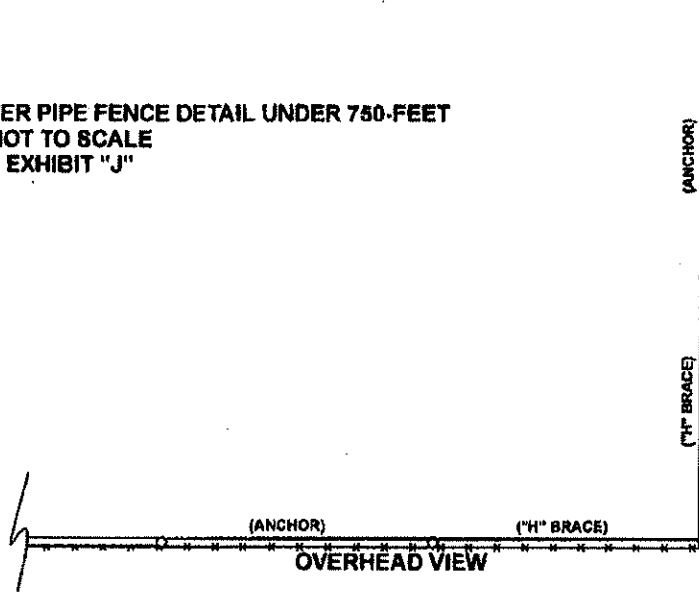
TYPICAL CORNER WITH DOUBLE "H" BRACES ONE DIRECTION WITH ONE ANCHOR

2-7/8 INCH OUTSIDE DIAMETER PIPE FENCE DETAIL

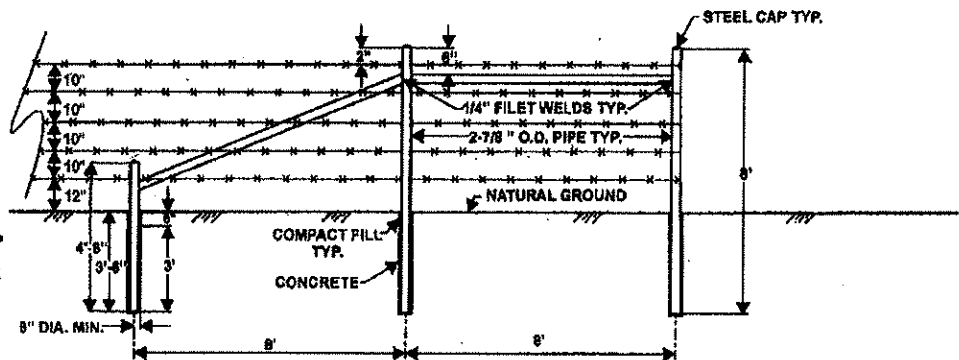
TYPICAL PULL BRACE
EXHIBIT "I"



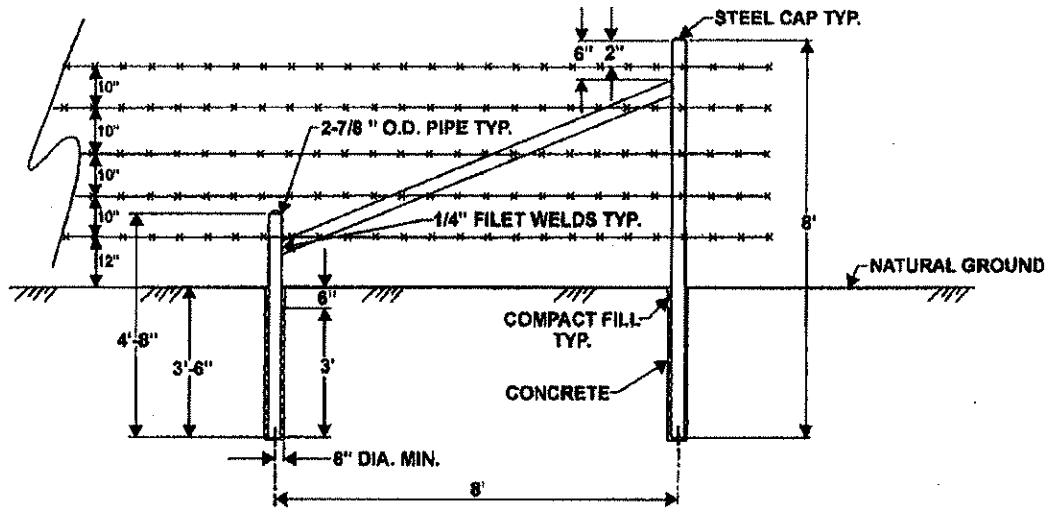
2-7/8 INCH OUTSIDE DIAMETER PIPE FENCE DETAIL UNDER 750- FEET
NOT TO SCALE
EXHIBIT "J"



TYPICAL CORNER OF TWO "H" BRACES WITH TWO ANCHORS



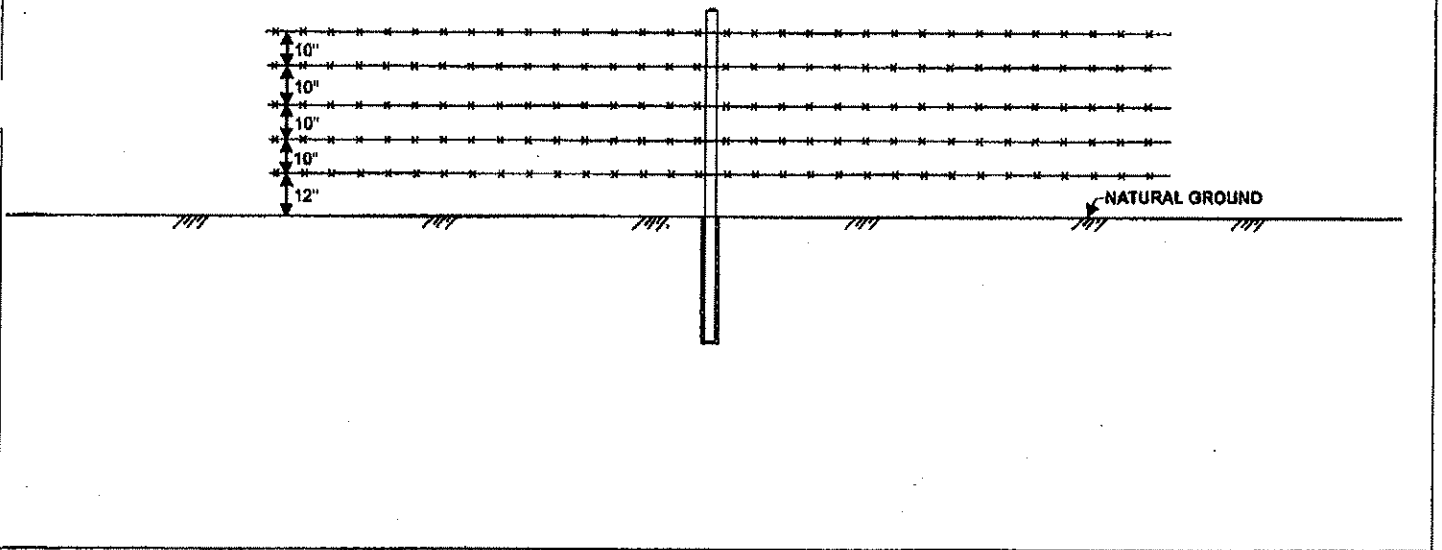
**2-7/8 INCH OUTSIDE DIAMETER PIPE FENCE DETAIL
NOT TO SCALE
EXHIBIT "K"**



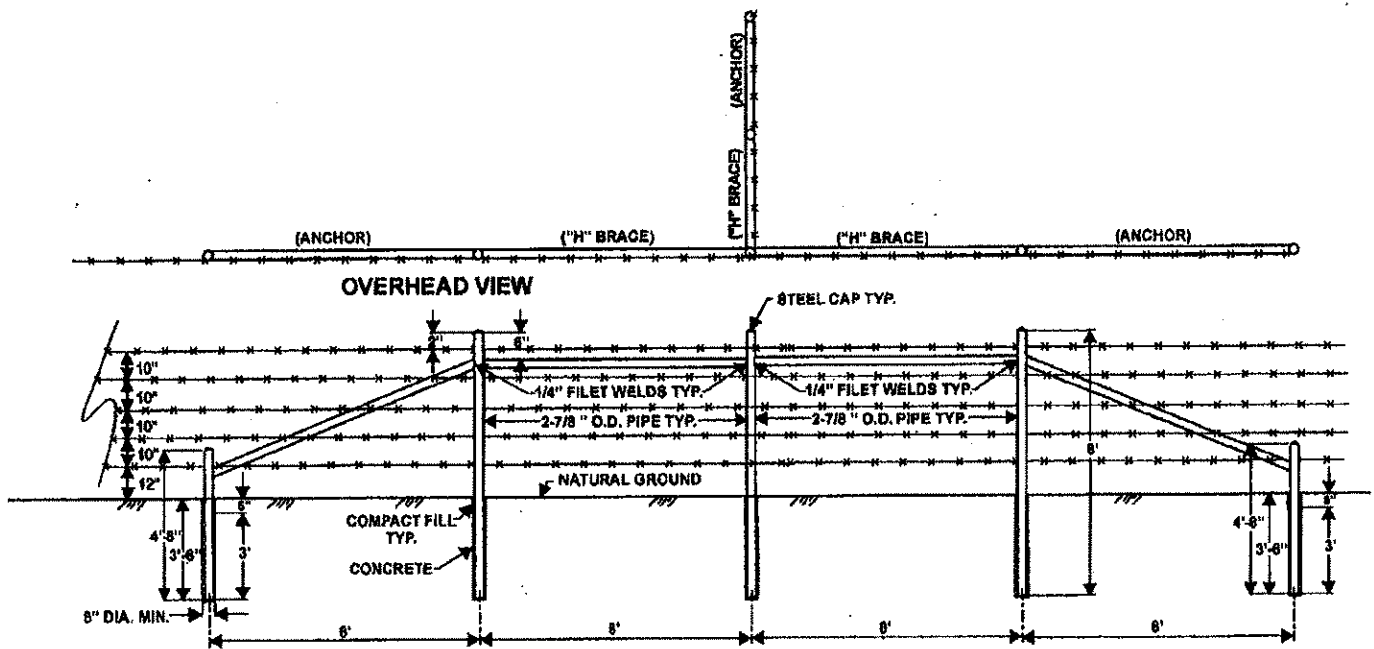
TYPICAL LINE POST AND RADIUS POST WITH SINGLE KICKER BRACE

2-7/8 INCH OUTSIDE DIAMETER PIPE LINE POST FENCE DETAIL

EXHIBIT "P"



2-7/8 INCH OUTSIDE DIAMETER PIPE FENCE DETAIL UNDER 750-FEET
NOT TO SCALE
EXHIBIT "Q"



TYPICAL CROSSSECTION "T" BRACE WITH THREE ANCHORS

PAYMENT BOND

STATE OF TEXAS §
COUNTY OF COLLIN §

KNOW ALL MEN BY THESE PRESENTS:

That _____, a corporation organized and existing under the laws of the State of _____, and fully authorized to transact business in the State of Texas, whose address is _____ of the City of _____ County of _____, and State of _____, (hereinafter referred to as "Principal"), and _____ (hereinafter referred to as "Surety", a corporation organized under the laws of the State of _____ and authorized under the laws of the State of Texas to act as surety on bonds for principals, are held and firmly bound unto _____ (hereinafter referred to as "Owner") and unto all persons, firms and corporations who may furnish materials for or perform labor upon the buildings, structures or improvements referred to in the attached Contract, in the penal sum of _____ Dollars (\$ _____) (not less than 100% of the approximate total amount of the Contract as evidenced in the proposal) in lawful money of the United States, for the payment whereof, the said Principal and Surety bind themselves, and their heirs, administrators, executors, successors, and assigns, jointly and severally, firmly by these presents:

WHEREAS, the Principal has entered into a certain written contract with the Owner, dated the _____ day of _____, 20____, to which said Contract is hereby referred to and made a part hereof and as fully and to the same extent as if copied at length herein for the construction of _____.

NOW, THEREFORE, THE CONDITION OF THIS OBLIGATION IS SUCH, that the bond guarantees the full and proper protection of all claimants supplying labor and material in the prosecution of the work provided for in said Contract and for the use of each claimant, and that conversely should the Principal faithfully perform said Contract and in all respects duly and faithfully observe and perform all and singular the covenants, conditions, and agreements in and by said Contract, agreed to by the Principal, and according to the true intent and meaning of said Contract and the claims and specifications hereto annexed, and any and all duly authorized modifications of said Contract that may hereafter be made, notice of which modification to Surety being hereby waived, then this obligation shall be void; otherwise, to remain in full force and effect. Provided further, that if any legal action be filed on this Bond, venue shall lie in Collin County, Texas.

"PROVIDED, HOWEVER, that this bond is executed pursuant to the provisions Texas Government Code, Chapter 2253, as amended, and Chapter 3503 of the Texas Insurance Code, as amended, and all liabilities on this bond shall be determined in accordance with the provisions of said articles to the same extent as if they were fully copied at length herein.

Surety, for value received, stipulates and agrees that the bond shall automatically be increased by the amount of any Change Order or supplemental agreement which increases the Contract price with or without notice to the Surety and that no change, extension of time, alteration or addition to the terms of the Contract, or to the work performed thereunder, or the plans, specifications, or drawings accompanying the same, shall in anyway affect its obligation on this bond, and it does hereby waive notice of any such change, extension of time, alteration or addition to the terms of the Contract, or to the work to be performed thereunder.

The undersigned and designated agent is hereby designated by Surety herein as the agent resident to whom any requisite notice may be delivered and on whom service of process may be had in matters arising out of such suretyship.

IN WITNESS WHEREOF, the said Principal and Surety have signed and sealed this instrument this _____ day of _____ 20_____.

WITNESS

PRINCIPAL

Printed/Typed Name _____

Title: _____

Company: _____

Address: _____

SURETY

Printed/Typed Name _____

Title: _____

Company: _____

Address: _____

WITNESS

The Resident Agent of the Surety for delivery of notice and service of process is:
Name: _____
Address: _____
Phone Number: _____

Note: Date of Bond must NOT be prior to date of contract.

PERFORMANCE BOND

STATE OF TEXAS §
COUNTY OF COLLIN §

KNOW ALL MEN BY THESE PRESENTS:

That _____, a corporation organized and existing under the laws of the State of _____, and fully authorized to transact business in the State of Texas, whose address is _____ of the City of _____ County of _____, and State of _____, (hereinafter referred to as "Principal"), and _____ (hereinafter referred to as "Surety", a corporation organized under the laws of the State of _____ and authorized under the laws of the State of Texas to act as surety on bonds for principals, are held and firmly bound unto _____ (hereinafter referred to as "Owner") and unto all persons, firms and corporations who may furnish materials for or perform labor upon the buildings, structures or improvements referred to in the attached Contract, in the penal sum of _____ Dollars (\$ _____) (not less than 100% of the approximate total amount of the Contract as evidenced in the proposal plus 10-percent of the stated penal sum as an additional sum of money representing additional court expenses, attorneys' fees, and liquidated damages arising out of or connected with the below identified Contract) in lawful money of the United States, for the payment whereof, the said Principal and Surety bind themselves, and their heirs, administrators, executors, successors, and assigns, jointly and severally, firmly by these presents:

WHEREAS, the Principal has entered into a certain written contract with the Owner, dated the _____ day of _____, 20____, to which said Contract is hereby referred to and made a part hereof and as fully and to the same extent as if copied at length herein for the construction of _____.

NOW, THEREFORE, THE CONDITION OF THIS OBLIGATION IS SUCH, that if the said Principal fully and faithfully executes the work and performance of the Contract in accordance with the plans specifications, and Contract Documents, including any extensions thereof which may be granted with or without notice to Surety, during the original term thereof, and during the life of any guaranty required under the Contract, and according to the true intent and meaning of said Contract and the plans and specifications hereto annexed, if the Principal shall repair and/or replace all defects due to faulty materials or workmanship that appear within a period of one year from the date of final completion and final acceptance of the work by OWNER; and if the Principal shall fully indemnify and save harmless the OWNER from all costs and damages which OWNER may suffer by reason of failure to so perform herein and shall fully reimburse and repay OWNER all outlay and expense which the OWNER may incur in making good any default or deficiency, then this obligation shall be void; otherwise, to remain in full force and effect; and in case said CONTRACTOR shall fail to do so, it is agreed that the OWNER may do said work and supply such materials and charge the same against said CONTRACTOR and Surety on this obligation. Provided further, that if any legal action be filed on this Bond, venue shall lie in _____ Collin County, Texas.

"PROVIDED, HOWEVER, that this bond is executed pursuant to the provisions Texas Government Code, Chapter 2253, as amended, and Chapter 3503 of the Texas Insurance Code, as amended, and all liabilities on this bond shall be determined in accordance with the provisions of said articles to the same extent as if they were fully copied at length herein.

Surety, for value received, stipulates and agrees that the bond shall automatically be increased by the amount of any Change Order or supplemental agreement which increases the Contract price with or without notice to the Surety, but in no event shall a Change Order or Supplemental Agreement which reduces the Contract price decrease the penal sum of the Bond. And further that no change, extension of time, alteration, or addition to the terms of the Contract, or to the work performed thereunder, or the plans, specifications, or drawings accompanying the same shall in any way affect its obligation on this bond, and it does hereby waive notice of any such change, extension of time, alteration, or addition to the terms of the Contract or to the work to be performed thereunder.

Surety agrees that the bond provides for the repairs and/or replacement of all defects due to faulty materials and workmanship that appear within a period of one (1) year from the date of completion and acceptance of the improvement by the OWNER.

The undersigned and designated agent is hereby designated by Surety herein as the agent resident to whom any requisite notice may be delivered and on whom service of process may be had in matters arising out of such suretyship.

IN WITNESS WHEREOF, the said Principal and Surety have signed and sealed this instrument this _____ day of _____ 20_____.

WITNESS

PRINCIPAL

Printed/Typed Name _____
Title: _____
Company: _____
Address: _____

WITNESS

SURETY

Printed/Typed Name _____
Title: _____
Company: _____
Address: _____

The Resident Agent of the Surety for delivery of notice and service of process is:
Name: _____
Address: _____
Phone Number: _____

Note: Date of Bond must NOT be prior to date of contract.

INFORMATION REGARDING **CONFLICT OF INTEREST QUESTIONNAIRE**

During the 79th Legislative Session, House Bill 914 was signed into law effective September 1, 2005, which added Chapter 176 to the Texas Local Government Code. Recent changes have been made to Chapter 176 pursuant to HB23, which passed the 84th Legislative Session. Chapter 176 mandates the public disclosure of certain information concerning persons doing business or seeking to do business with Collin County, including family, business, and financial relationships such persons may have with Collin County officers or employees involved in the planning, recommending, selecting and contracting of a vendor for this procurement.

For a copy of Form CIQ and

CIS: [http://www.ethics.state.tx.us/filinginfo/conflict_form
s.htm](http://www.ethics.state.tx.us/filinginfo/conflict_form_s.htm)

The vendor acknowledges by doing business or seeking to do business with Collin County that he/she has been notified of the requirements under Chapter 176 of the Texas Local Government Code and that he/she is solely responsible for complying with the terms and conditions therein. Furthermore, any individual or business entity seeking to do business with Collin County who does not comply with this practice may risk award consideration of any County contract.

For a listing of current Collin County Officers:

<http://www.collincountytexas.gov/government/Pages/officials.aspx>

The following County employees will be involved in the planning, recommending, selecting, and contracting for the attached procurement:

Department:

Jon Kleinheksel - Director of Public Works
Mark Hines - Assistant Director of Public Works
Mike Evertson - Road & Bridge Superintendent
Wayne Anderson - Road & Bridge Superintendent

Purchasing:

Michalyn Rains – Purchasing Agent, CPPB, CPPO
Gina Zimmer – Buyer II

Commissioners' Court:

Keith Self – County Judge
Susan Fletcher – Commissioner Precinct No. 1
Cheryl Williams – Commissioner Precinct No. 2
Chris Hill – Commissioner Precinct No. 3
Duncan Webb – Commissioner Precinct No. 4

CONFLICT OF INTEREST QUESTIONNAIRE
For vendor doing business with local governmental entity

FORM CIQ

This questionnaire reflects changes made to the law by H.B. 23, 84th Leg., Regular Session.

This questionnaire is being filed in accordance with Chapter 176, Local Government Code, by a vendor who has a business relationship as defined by Section 176.001(1-a) with a local governmental entity and the vendor meets requirements under Section 176.006(a).

By law this questionnaire must be filed with the records administrator of the local governmental entity not later than the 7th business day after the date the vendor becomes aware of facts that require the statement to be filed. See Section 176.006(a-1), Local Government Code.

A vendor commits an offense if the vendor knowingly violates Section 176.006, Local Government Code. An offense under this section is a misdemeanor.

OFFICE USE ONLY

Date Received

1 Name of vendor who has a business relationship with local governmental entity.

2 **Check this box if you are filing an update to a previously filed questionnaire.** (The law requires that you file an updated completed questionnaire with the appropriate filing authority not later than the 7th business day after the date on which you became aware that the originally filed questionnaire was incomplete or inaccurate.)

3 Name of local government officer about whom the information is being disclosed.

Name of Officer

4 Describe each employment or other business relationship with the local government officer, or a family member of the officer, as described by Section 176.003(a)(2)(A). Also describe any family relationship with the local government officer. Complete subparts A and B for each employment or business relationship described. Attach additional pages to this Form CIQ as necessary.

A. Is the local government officer or a family member of the officer receiving or likely to receive taxable income, other than investment income, from the vendor?

Yes No

B. Is the vendor receiving or likely to receive taxable income, other than investment income, from or at the direction of the local government officer or a family member of the officer AND the taxable income is not received from the local governmental entity?

Yes No

5 Describe each employment or business relationship that the vendor named in Section 1 maintains with a corporation or other business entity with respect to which the local government officer serves as an officer or director, or holds an ownership interest of one percent or more.

6 Check this box if the vendor has given the local government officer or a family member of the officer one or more gifts as described in Section 176.003(a)(2)(B), excluding gifts described in Section 176.003(a-1).

7

Signature of vendor doing business with the governmental entity

Date

CONFLICT OF INTEREST QUESTIONNAIRE

For vendor doing business with local governmental entity

A complete copy of Chapter 176 of the Local Government Code may be found at <http://www.statutes.legis.state.tx.us/Docs/LG/htm/LG.176.htm>. For easy reference, below are some of the sections cited on this form.

Local Government Code § 176.001(1-a): "Business relationship" means a connection between two or more parties based on commercial activity of one of the parties. The term does not include a connection based on:

- (A) a transaction that is subject to rate or fee regulation by a federal, state, or local governmental entity or an agency of a federal, state, or local governmental entity;
- (B) a transaction conducted at a price and subject to terms available to the public; or
- (C) a purchase or lease of goods or services from a person that is chartered by a state or federal agency and that is subject to regular examination by, and reporting to, that agency.

Local Government Code § 176.003(a)(2)(A) and (B):

(a) A local government officer shall file a conflicts disclosure statement with respect to a vendor if:

(2) the vendor:

(A) has an employment or other business relationship with the local government officer or a family member of the officer that results in the officer or family member receiving taxable income, other than investment income, that exceeds \$2,500 during the 12-month period preceding the date that the officer becomes aware that

- (i) a contract between the local governmental entity and vendor has been executed;
- or
- (ii) the local governmental entity is considering entering into a contract with the vendor;

(B) has given to the local government officer or a family member of the officer one or more gifts that have an aggregate value of more than \$100 in the 12-month period preceding the date the officer becomes aware that:

- (i) a contract between the local governmental entity and vendor has been executed; or
- (ii) the local governmental entity is considering entering into a contract with the vendor.

Local Government Code § 176.006(a) and (a-1)

(a) A vendor shall file a completed conflict of interest questionnaire if the vendor has a business relationship with a local governmental entity and:

- (1) has an employment or other business relationship with a local government officer of that local governmental entity, or a family member of the officer, described by Section 176.003(a)(2)(A);
- (2) has given a local government officer of that local governmental entity, or a family member of the officer, one or more gifts with the aggregate value specified by Section 176.003(a)(2)(B), excluding any gift described by Section 176.003(a-1); or
- (3) has a family relationship with a local government officer of that local governmental entity.

(a-1) The completed conflict of interest questionnaire must be filed with the appropriate records administrator not later than the seventh business day after the later of:

(1) the date that the vendor:

- (A) begins discussions or negotiations to enter into a contract with the local governmental entity; or
- (B) submits to the local governmental entity an application, response to a request for proposals or bids, correspondence, or another writing related to a potential contract with the local governmental entity; or

(2) the date the vendor becomes aware:

- (A) of an employment or other business relationship with a local government officer, or a family member of the officer, described by Subsection (a);
- (B) that the vendor has given one or more gifts described by Subsection (a); or
- (C) of a family relationship with a local government officer.

