



# COLLIN COUNTY

Office of the Purchasing Agent  
2300 Bloomdale Road  
Suite 3160  
McKinney, Texas 75071  
www.collincountytx.gov

COLLIN COUNTY, TEXAS

ADDENDUM No. Two (2)

IFB No. 2021-099

INVITATION FOR BID

FOR

CONSTRUCTION, COLLIN COUNTY SHERIFF'S OFFICE FIRE SPRINKLER MODIFICATION

DATE: JANUARY 21, 2021

NOTICE TO ALL PROSPECTIVE BIDDERS:

PLEASE MAKE THE FOLLOWING CHANGES TO THE INVITATION FOR BID:

ADD DOCUMENT: 1/20/2021 MANDATORY PRE-BID CONFERENCE ATTENDEE LIST

ADD DOCUMENT: ATTACHMENT A – AS-BUILTS

ADD DOCUMENT: ATTACHMENT B –PRE-BID CONFERENCE  
QUESTIONS/CLARIFICATIONS

ADD ATTRIBUTE: #22-ADDENDUM No. 2 ACKNOWLEDGEMENT

DELETE DOCUMENT: SECTION 004100-BID FORM ADDENDUM 1

REPLACE WITH: SECTION 004100-BID FORM ADDENDUM 2

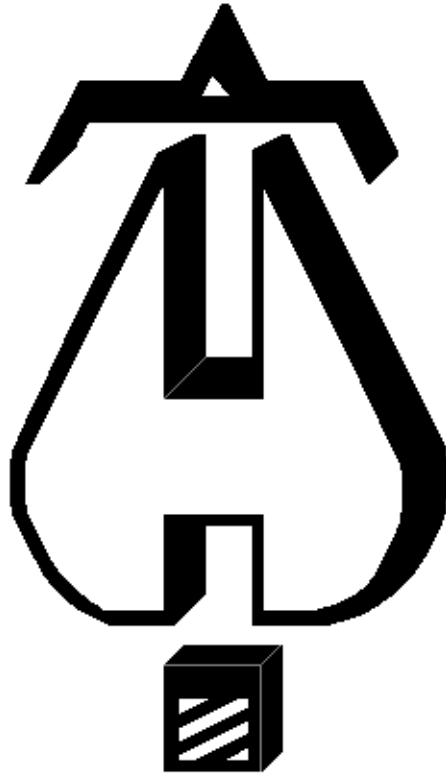
ALL OTHER TERMS AND CONDITIONS OF THE BID AND SPECIFICATIONS REMAIN THE SAME.

SINCERELY,  
MICHELLE CHARNOSKI, CPPB  
PURCHASING AGENT

JDG







Hydraulic calculations using HydraCALC

RANGER FIRE INC.  
1000 S. MAIN STREET  
SUITE 150  
GRAPEVINE, TX 76051  
817-410-9070

Job Name : 911 DISPATCH CENTER  
Drawing :  
Location :  
Remote Area :  
Contract :  
Data File : 911 Dispatch PreAction REV 3.WXF

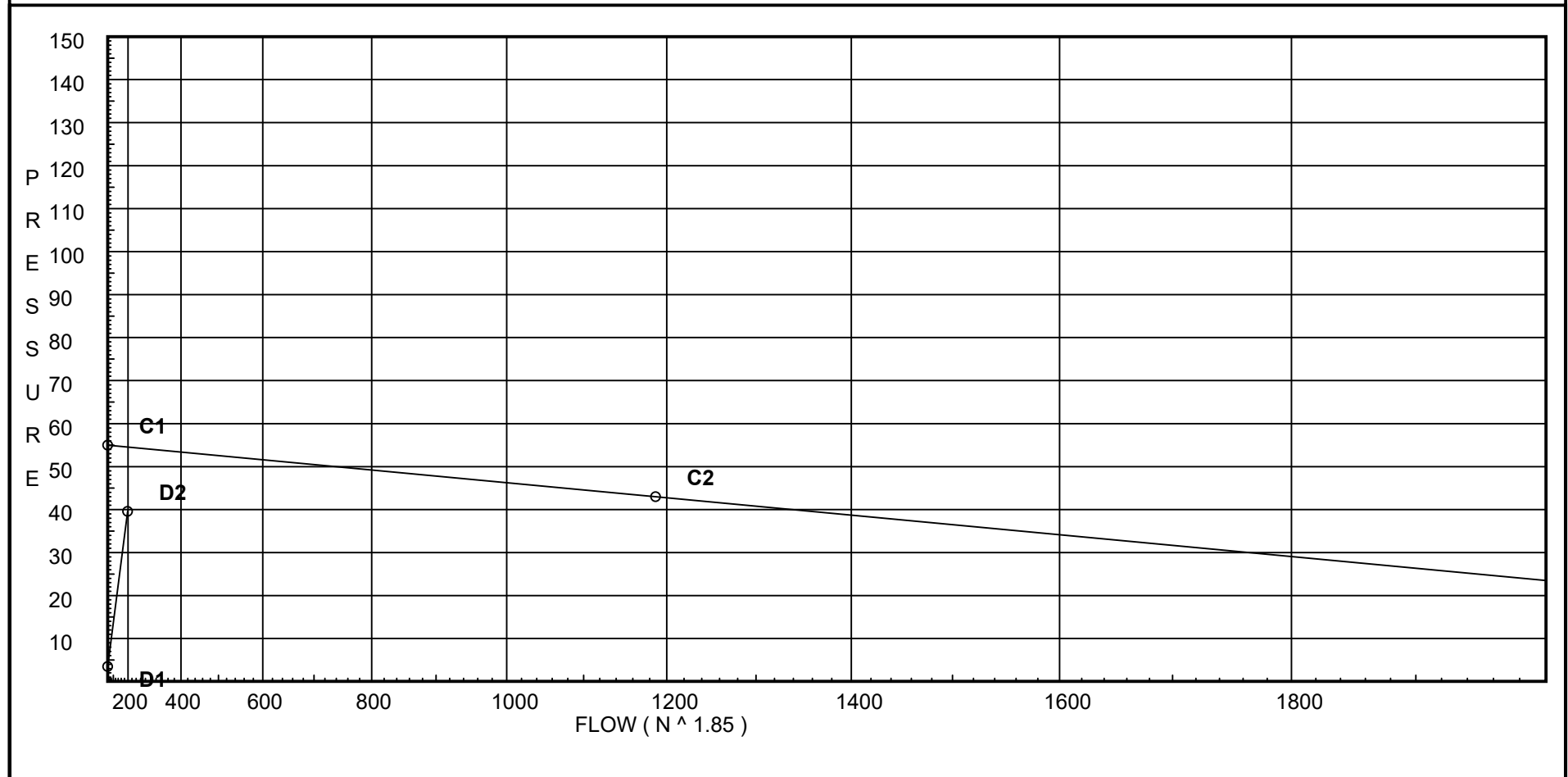
# Water Supply Curve C

RANGER FIRE INC.  
911 DISPATCH CENTER

Page 1  
Date 10/09/10

City Water Supply:  
C1 - Static Pressure : 55  
C2 - Residual Pressure: 43  
C2 - Residual Flow : 1187

Demand:  
D1 - Elevation : 3.465  
D2 - System Flow : 197.804  
D2 - System Pressure : 39.577  
Hose ( Demand ) :  
D3 - System Demand : 197.804  
Safety Margin : 14.987



# Fittings Used Summary

RANGER FIRE INC.  
911 DISPATCH CENTER

Page 2  
Date 10/09/10

## Fitting Legend

Abbrev.	Name	1/2	3/4	1	1 1/4	1 1/2	2	2 1/2	3	3 1/2	4	5	6	8	10	12	14	16	18	20	24	
Aty	Alarm Tyco AV-1							14			23		24	23								
B	NFPA 13 Butterfly Valve	0	0	0	0	0	6	7	10	0	12	9	10	12	19	21	0	0	0	0	0	0
E	NFPA 13 90' Standard Elbow	1	2	2	3	4	5	6	7	8	10	12	14	18	22	27	35	40	45	50	61	
G	NFPA 13 Gate Valve	0	0	0	0	0	1	1	1	1	2	2	3	4	5	6	7	8	10	11	13	
L	NFPA 13 Long Turn Elbow	0.5	1	2	2	2	3	4	5	5	6	8	9	13	16	18	24	27	30	34	40	
S	NFPA 13 Swing Check	0	0	5	7	9	11	14	16	19	22	27	32	45	55	65						
T	NFPA 13 90' Flow thru Tee	3	4	5	6	8	10	12	15	17	20	25	30	35	50	60	71	81	91	101	121	
V	90' Ell Firelock #001	0	0	0	0	0	3.5	4.3	5	0	6.8	8.5	10	13	4.5	5.1	0	0	0	0	0	0
X	90'Tee-BranchFirelock002	0	0	0	0	0	8.5	10.8	13	0	16	21	25	33	9.3	11	0	0	0	0	0	0

## Units Summary

Diameter Units	Inches
Length Units	Feet
Flow Units	US Gallons per Minute
Pressure Units	Pounds per Square Inch

Note: Fitting Legend provides equivalent pipe lengths for fittings types of various diameters. Equivalent lengths shown are standard for actual diameters of Sched 40 pipe and CFactors of 120 except as noted with \*. The fittings marked with a \* show equivalent lengths values supplied by manufacturers based on specific pipe diameters and CFactors and they require no adjustment. All values for fittings not marked with a \* will be adjusted in the calculation for CFactors of other than 120 and diameters other than Sched 40 per NFPA.

**SUPPLY ANALYSIS**

<b>Node at Source</b>	<b>Static Pressure</b>	<b>Residual Pressure</b>	<b>Flow</b>	<b>Available Pressure</b>	<b>Total Demand</b>	<b>Required Pressure</b>
CTY	55.0	43	1187.0	54.564	197.8	39.577

**NODE ANALYSIS**

<b>Node Tag</b>	<b>Elevation</b>	<b>Node Type</b>	<b>Pressure at Node</b>	<b>Discharge at Node</b>	<b>Notes</b>
S2	9.0	5.6	11.59	19.06	
S3	9.0	5.6	12.0	19.4	
S4	9.0	5.6	12.72	19.97	
S5	9.0	5.6	12.62	19.9	
B5	9.5		13.91		
B6	9.5		14.1		
B7	9.5		14.69		
B8	9.5		15.69		
B10	9.5		13.84		
S6	9.0	5.6	12.8	20.03	
S7	9.0	5.6	13.32	20.44	
S8	9.0	5.6	14.23	21.12	
S1	9.0	5.6	11.39	18.9	
S9	9.0	5.6	11.34	18.86	
S10	9.0	5.6	12.91	20.12	
B1	9.5		12.2		
B2	9.5		12.41		
B3	9.5		12.86		
B4	9.5		13.64		
B9	9.5		12.14		
BL1	9.5		16.51		
BL2	9.5		18.64		
MN1	9.5		24.81		
TOR	9.5		26.96		
BOR	1.0		36.91		
CNT	1.0		39.23		
FLG	1.0		39.34		
UC	-5.0		41.97		
CTY	1.0		39.58		

# Final Calculations : Hazen-Williams

RANGER FIRE INC.  
911 DISPATCH CENTER

Page 4  
Date 10/09/10

Node1 to Node2	Elev1 Elev2	K Fact	Qa Qt	Nom Act	Fitting or Eqiv Len	Pipe Ftngs Total	CFact Pf/Ft	Pt Pe Pf	*****	Notes	*****
S2 to B2	9 9.500	5.60	19.06 19.06	1 1.049	E T 0.0	1.427 3.568 0.0	1.250 4.995 6.245	100 -0.217 0.1669	11.586 1.042	Vel = 7.08	
B2			0.0 19.06						12.411	K Factor = 5.41	
S3 to B3	9 9.500	5.60	19.40 19.4	1 1.049	E T 0.0	1.427 3.568 0.0	1.250 4.995 6.245	100 -0.217 0.1723	12.003 1.076	Vel = 7.20	
B3			0.0 19.40						12.862	K Factor = 5.41	
S4 to B4	9 9.500	5.60	19.97 19.97	1 1.049	E T 0.0	1.427 3.568 0.0	1.250 4.995 6.245	100 -0.217 0.1819	12.720 1.136	Vel = 7.41	
B4			0.0 19.97						13.639	K Factor = 5.41	
S5 to B5	9 9.500	5.60	19.90 19.9	1 1.049	E T 0.0	1.427 3.568 0.0	3.333 4.995 8.328	100 -0.217 0.1806	12.623 1.504	Vel = 7.39	
B5 to B6	9.500 9.500		20.12 40.02	2 2.157		0.0 0.0 0.0	9.917 0.0 9.917	100 0.0 0.0197	13.910 0.0 0.195	Vel = 3.51	
B6 to B7	9.500 9.500		20.03 60.05	2 2.157		0.0 0.0 0.0	14.000 0.0 14.000	100 0.0 0.0416	14.105 0.0 0.583	Vel = 5.27	
B7 to B8	9.500 9.500		20.44 80.49	2 2.157		0.0 0.0 0.0	14.000 0.0 14.000	100 0.0 0.0716	14.688 0.0 1.002	Vel = 7.07	
B8 to BL2	9.500 9.500		21.12 101.61	2 2.157	X	7.466 0.0 0.0	19.333 7.465 26.798	100 0.0 0.1102	15.690 0.0 2.953	Vel = 8.92	
BL2			0.0 101.61						18.643	K Factor = 23.53	
B10 to B5	9.500 9.500		20.12 20.12	2 2.157		0.0 0.0 0.0	12.000 0.0 12.000	100 0.0 0.0055	13.844 0.0 0.066	Vel = 1.77	
B5			0.0 20.12						13.910	K Factor = 5.39	
S6 to B6	9 9.500	5.60	20.03 20.03	1 1.049	E T 0.0	1.427 3.568 0.0	3.333 4.995 8.328	100 -0.217 0.1830	12.798 1.524	Vel = 7.44	
B6			0.0 20.03						14.105	K Factor = 5.33	
S7 to B7	9 9.500	5.60	20.44 20.44	1 1.049	E T 0.0	1.427 3.568 0.0	3.333 4.995 8.328	100 -0.217 0.1898	13.324 1.581	Vel = 7.59	
B7			0.0 20.44						14.688	K Factor = 5.33	
S8 to B8	9 9.500	5.60	21.12 21.12	1 1.049	E T 0.0	1.427 3.568 0.0	3.333 4.995 8.328	100 -0.217 0.2017	14.227 1.680	Vel = 7.84	



# Final Calculations : Hazen-Williams

RANGER FIRE INC.  
911 DISPATCH CENTER

Page 5  
Date 10/09/10

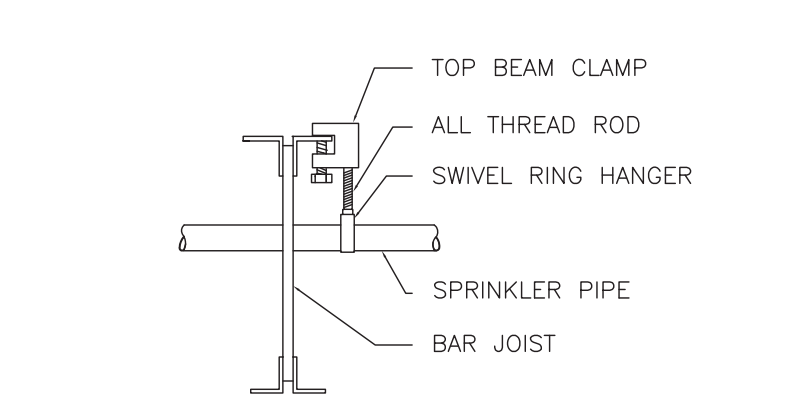
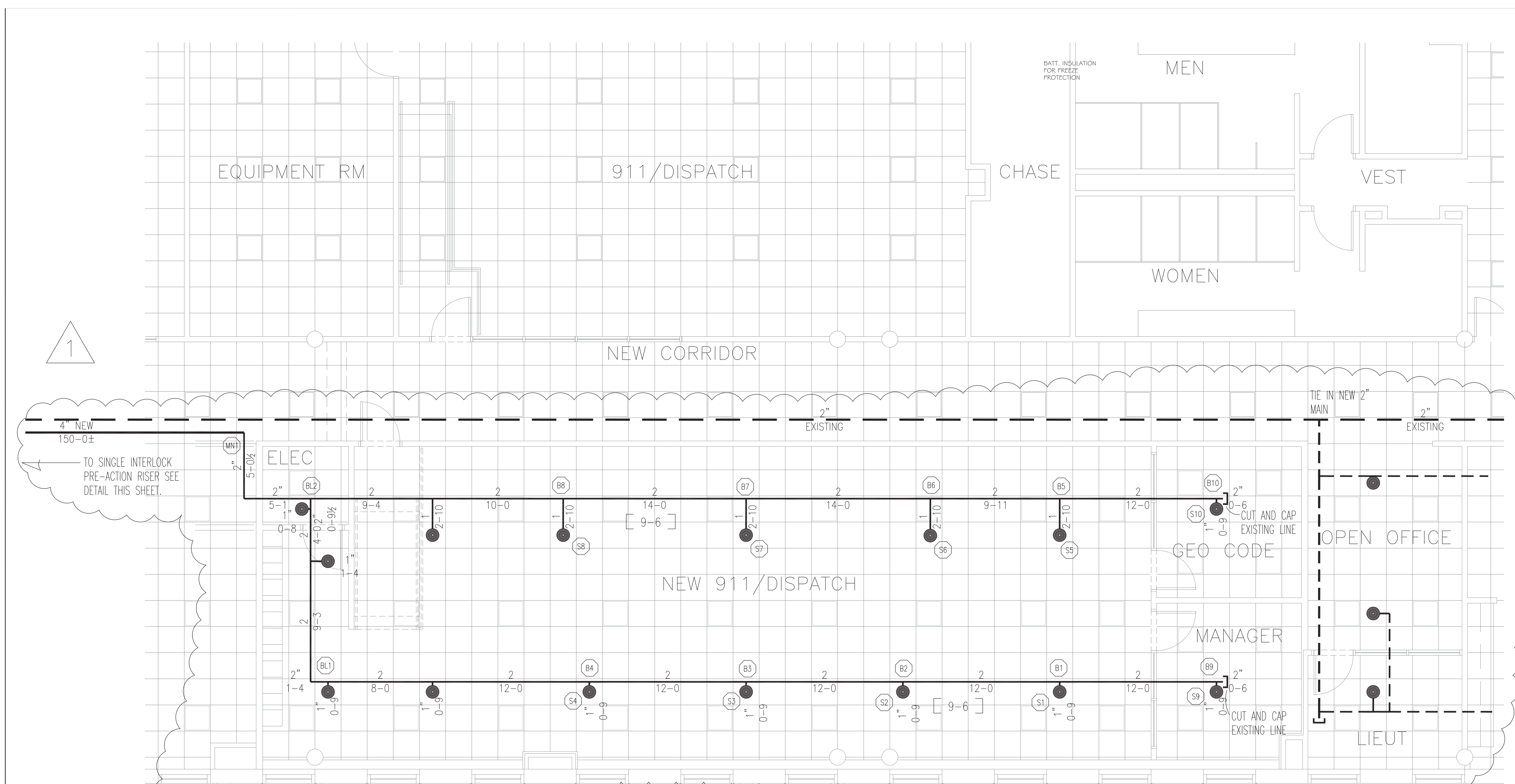
Node1 to Node2	Elev1 Elev2	K Fact	Qa Qt	Nom Act	Fitting or Eqiv Len	Pipe Ftngs Total	CFact Pf/Ft	Pt Pe Pf	*****	Notes	*****
B8			0.0 21.12					15.690		K Factor = 5.33	
S1 to B1	9 9.500	5.60	18.90 18.9	1 1.049	E T	1.427 3.568 0.0	1.250 4.995 6.245	100 0.1643	11.391 -0.217 1.026	Vel = 7.02	
B1			0.0 18.90					12.200		K Factor = 5.41	
S9 to B9	9 9.500	5.60	18.86 18.86	1 1.049	E T	1.427 3.568 0.0	1.250 4.995 6.245	100 0.1637	11.336 -0.217 1.022	Vel = 7.00	
B9			0.0 18.86					12.141		K Factor = 5.41	
S10 to B10	9 9.500	5.60	20.12 20.12	1 1.049	E T	1.427 3.568 0.0	1.250 4.995 6.245	100 0.1845	12.909 -0.217 1.152	Vel = 7.47	
B10			0.0 20.12					13.844		K Factor = 5.41	
B1 to B2	9.500 9.500		37.76 37.76	2 2.157		0.0 0.0 0.0	12.000 0.0 12.000	100 0.0176	12.200 0.0 0.211	Vel = 3.32	
B2 to B3	9.500 9.500		19.06 56.82	2 2.157		0.0 0.0 0.0	12.000 0.0 12.000	100 0.0376	12.411 0.0 0.451	Vel = 4.99	
B3 to B4	9.500 9.500		19.40 76.22	2 2.157		0.0 0.0 0.0	12.000 0.0 12.000	100 0.0648	12.862 0.0 0.777	Vel = 6.69	
B4 to BL1	9.500 9.500		19.97 96.19	2 2.157	X	7.466 0.0 0.0	21.333 7.465 28.798	100 0.0996	13.639 0.0 2.867	Vel = 8.45	
BL1			0.0 96.19					16.506		K Factor = 23.68	
B9 to B1	9.500 9.500		18.86 18.86	2 2.157		0.0 0.0 0.0	12.000 0.0 12.000	100 0.0049	12.141 0.0 0.059	Vel = 1.66	
B1			0.0 18.86					12.200		K Factor = 5.40	
BL1 to BL2	9.500 9.500		96.19 96.19	2 2.157	X	7.466 0.0 0.0	14.000 7.465 21.465	100 0.0996	16.506 0.0 2.137	Vel = 8.45	
BL2 to MN1	9.500 9.500		101.61 197.8	2 2.157	2V	6.148 0.0 0.0	10.167 6.148 16.315	100 0.3779	18.643 0.0 6.165	Vel = 17.37	
MN1 to TOR	9.500 9.500		0.0 197.8	4 4.26	V	6.39 0.0 0.0	150.000 6.390 156.390	100 0.0137	24.808 0.0 2.149	Vel = 4.45	
TOR to BOR	9.500 1		0.0 197.8	2 2.157	B Eq	7.384 7.384 0.0	8.500 14.768 23.268	120 0.2697	26.957 3.681 6.275	Vel = 17.37	

Final Calculations : Hazen-Williams

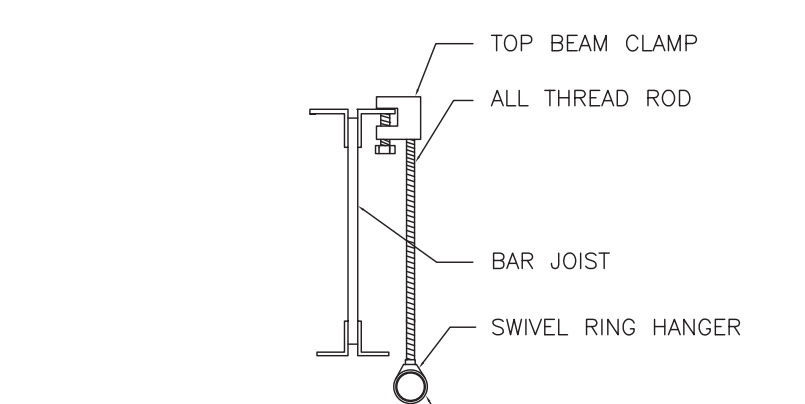
RANGER FIRE INC.  
911 DISPATCH CENTER

Page 6  
Date 10/09/10

Node1 to Node2	Elev1 Elev2	K Fact	Qa Qt	Nom Act	Fitting or Eqiv Len	Pipe Ftngs Total	CFact Pf/Ft	Pt Pe Pf	*****	Notes	*****
BOR to CNT	1 1		0.0 197.8	2.5 2.635	V X	5.903 14.827 20.730	2.000 22.730	120 0.0	36.913 0.0	Vel = 11.64	
CNT to FLG	1 1		0.0 197.8	6 6.357	V X G Aty	12.573 31.433 3.772 30.176	5.000 77.954	120 0.0	39.225 0.0	Vel = 2.00	
FLG to UC	1 -5		0.0 197.8	6 6.065	L	9.0 0.0 9.000	10.000 19.000	120 0.0017	39.341 2.599	Vel = 2.20	
UC to CTY	-5 1		0.0 197.8	6 6.09	2S G	98.665 4.625 103.290	75.000	150 -2.599	41.973 -2.599	Vel = 2.18	
CTY			0.0 197.80						39.577	K Factor = 31.44	



TYP. PIPE HANGER DETAIL  
- NOT TO SCALE



TYP. PIPE HANGER DETAIL  
- NOT TO SCALE

**HANGER SPACING CHART**

TABLE 9.2.2.1 MAXIMUM DISTANCE BETWEEN HANGERS (FT-IN.)

NOMINAL PIPE SIZE (IN.)	3/4	1	1-1/4	1-1/2	2	2-1/2	3	4	6
STEEL PIPE	N/A	12-0	12-0	15-0	15-0	15-0	15-0	15-0	15-0

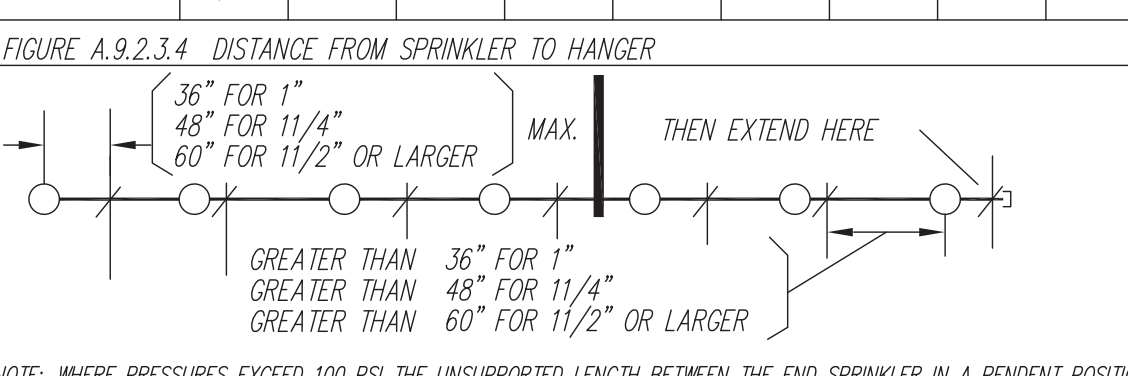


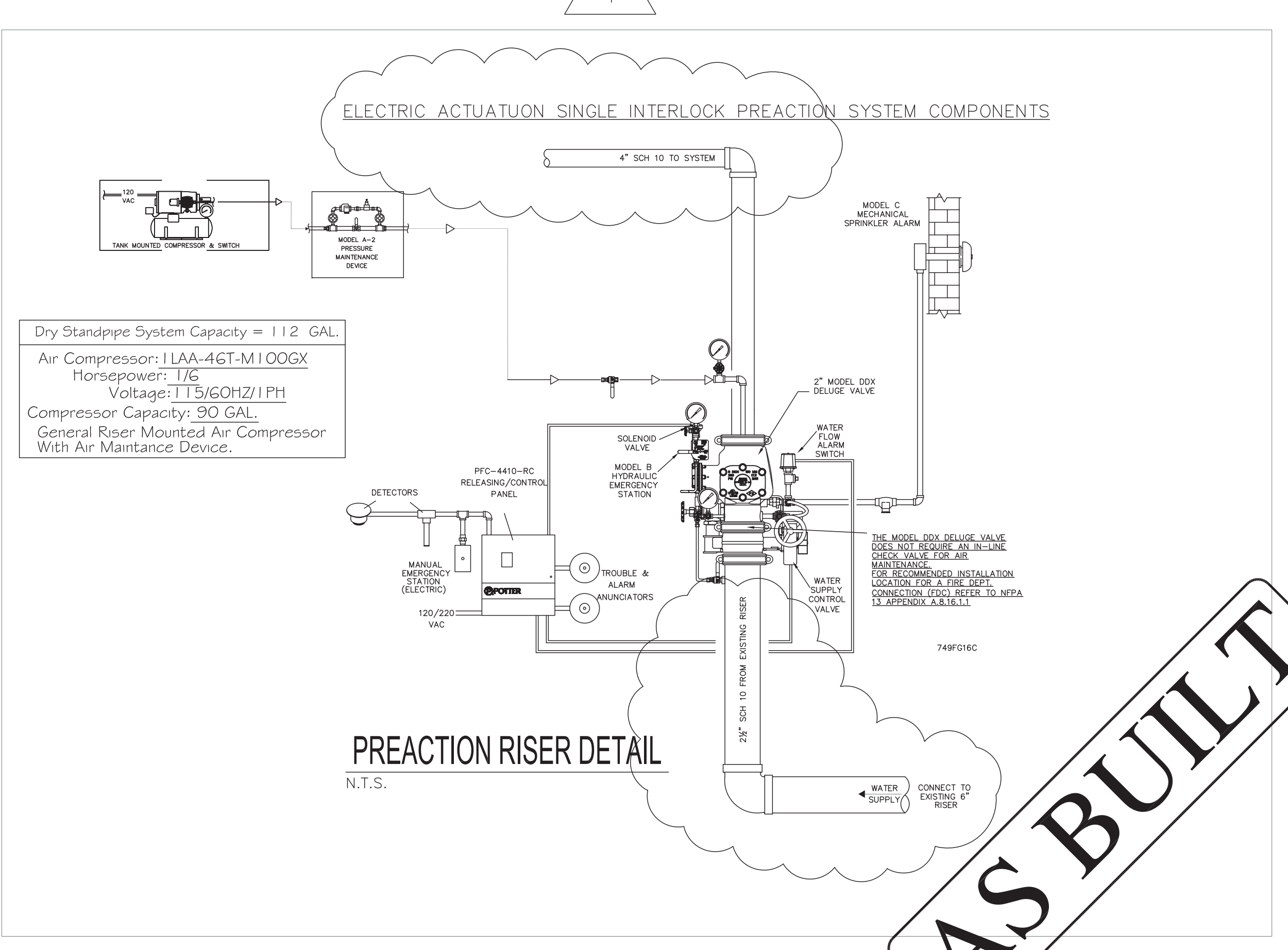
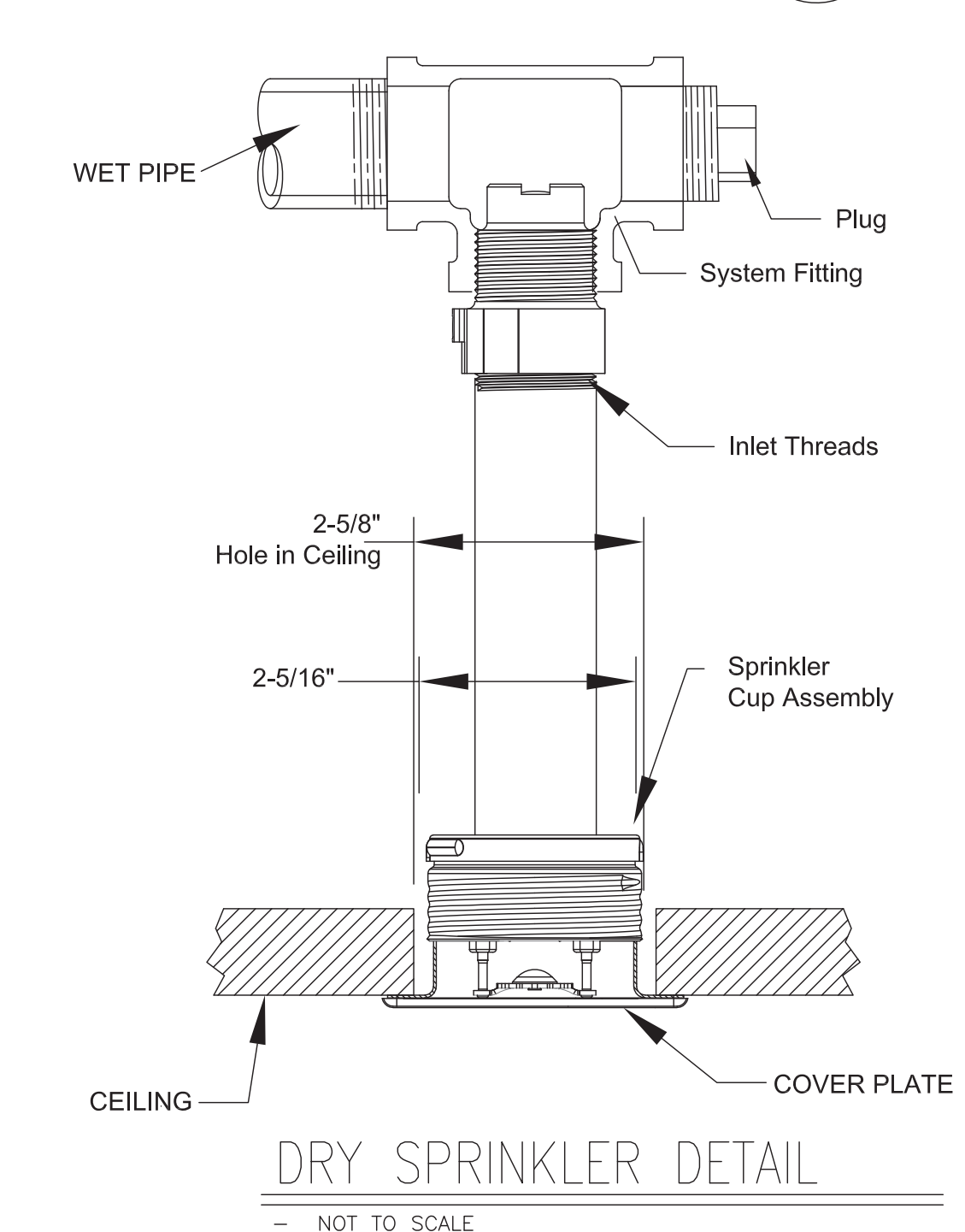
TABLE 9.1.2.1 HANGER ROD SIZES

PIPE SIZE	DIAM. OF ROD	PIPE SIZE	DIAM. OF ROD
UP TO AND INCLUDING 4"	3/8"	6 AND 8"	1/2"

**HYDRAULICALLY CALCULATED SYSTEM**

THIS SYSTEM AS SHOWN ON \_\_\_\_\_ SPRINKLER SYSTEM  
 COMPANY PRINT NO. \_\_\_\_\_ DATE: 10/29/17  
 FOR \_\_\_\_\_ NEW PREACTION SYSTEM  
 AT \_\_\_\_\_ CONTRACT NO. \_\_\_\_\_  
 IS DESIGNED TO DISCHARGE AT A RATE OF \_\_\_\_\_ GPM  
 (L/MIN) PER SQ FT (M<sup>2</sup>) OF FLOOR AREA OVER A MAXIMUM AREA OF \_\_\_\_\_ SQ FT  
 WITH WATER AT THE RATE OF \_\_\_\_\_ GPM (L/MIN)  
 AT \_\_\_\_\_ PSI (BARS) AT THE BASE OF THE RISER  
 HOSE STREAM ALLOWANCE OF \_\_\_\_\_ GPM (L/MIN)  
 IS INCLUDED IN THE ABOVE. SAFETY FACTOR: \_\_\_\_\_ PSI  
 OCCUPANCY CLASSIFICATION \_\_\_\_\_  
 COMMONLY CLASSIFICATION \_\_\_\_\_  
 MAXIMUM STORAGE HEIGHT \_\_\_\_\_  
 INSTALLED BY \_\_\_\_\_

**1 NEW 911/DISPATCH PREACTION SYSTEM**  
 1/4" = 1'-0"



**911/DISPATCH SPRINKLER LAYOUT**

**AS BUILT**

I have reviewed these plans and certify that they comply with the accepted NFPA standards.  
**Ranger Fire, Inc.**  
 Suite 150  
 1000 South Main Street  
 Grapevine, TX 76051  
 Phone: 817-410-4070  
 SCR-0530

RME SIGNATURE: \_\_\_\_\_ DATE: \_\_\_\_\_  
 PRINTED RME NAME: **Matthew Claxton**  
 RME NUMBER: **0778-G**  
 AS-BUILT  SUBMITTAL  OTHER

**CONFIDENTIALITY STATEMENT**  
 This drawing, the information and design specifications herein, contained, conditions, and terms shall remain the confidential property of Ranger Fire, Inc. and shall not be disclosed, copied, or reproduced in any form or by any means without the prior written consent of Ranger Fire, Inc. (Ranger Fire).  
 REVISIONS  
 TO: DENKOR COMMERCIAL, 10/24/2017, RBY-10/24/2017  
 TO: DENKOR COMMERCIAL, 10/24/2017, RBY-10/24/2017  
 TO: DENKOR COMMERCIAL, 10/24/2017, RBY-10/24/2017

**OWNER:** \_\_\_\_\_  
**CONTRACTOR:** \_\_\_\_\_

**SPRINKLER LEGEND**

SYMBOL	MAKE	MODEL	SIN	K	DRIFTCHEAT	FINISH	
●	REDFIRE	105-56	CONC.	RS1	1/4"	105	WHITE

**QTY:** \_\_\_\_\_  
**BUILD:** \_\_\_\_\_  
**ESCUICHEON:** \_\_\_\_\_  
**WHITE RECESSED:** \_\_\_\_\_

**TOTAL FOR THIS BUILDING:** \_\_\_\_\_

**RANGER FIRE**

**CONTRACT NAME:** 911/DISPATCH CENTER  
**COLLIN COUNTY SHERIFF'S OFFICE**  
**4300 COMMUNITY AVENUE**  
**McKINNEY, TEXAS 75071**

**SCALE:** 1/4" = 1'-0"  
**DRAWN BY:** DA  
**CHECKED BY:** MC  
**DATE:** 10/13/17  
**DWG. NO.:** FP-1  
**CONTRACT #:** TBD

**DESCRIPTION:** NFPA 13 AUTOMATIC SPRINKLER SYSTEM

## Attachment B

### Pre-bid Conference Questions & Clarifications

1.) Will the furniture remain in the areas of work?

Response: The contractor is required to provide protection for furniture, all finishes and all equipment located in these areas.

2.) What is the deck height? Total clearance from ceiling to the bottom of beam?

Response: Bidders may investigate the site conditions at additional site walks scheduled on Monday 1/25/21 at 9:00 am or 10:00 am.

3.) Are we to demo the existing wet pipe?

Response: Yes, the bid documents require the existing wet pipe in the area of work to be removed.

4.) What is the condition under the raised floor?

Response: Bidders may investigate the site conditions at additional site walks scheduled on Monday 1/25/21 at 9:00 am or 10:00 am.

5.) Are these area critical areas?

Response: All areas of the Sheriff's Office are critical areas. All work areas are occupied and will remain in operation during the sprinkler and fire alarm installations.

6.) To clarify the only access to the area of work will be the front entry doors. This building does not have a truck dock.

7.) To clarify this project requires a full time escort by Collin County Sheriff's Office.

8.) Ask Facilities Maintenance about the annunciator fire alarm panel inside room D1614.

Response: The fire alarm panel inside the room has no impact on the scope of work for this project.

9.) Is the as built available for the 2017 sprinkler system renovation?

## **Attachment B**

Response: Refer to Addendum 2, Attachment A.

10.) What are the type sprinkler heads?

Response: See specification Section 21 1313 AUTOMATIC FIRE SPRINKLER SYSTEM section 2.03 SPRINKLERS.

11.) To clarify the contractor is responsible for permitting the project with the City of McKinney. Contractor must follow City of McKinney fire sprinkler and fire alarm requirements.

# Section 004100-Bid Form Addendum 2



## Collin County Purchasing

### **2021-099 Addendum 2**

#### **Construction, Collin County Sheriff's Office Fire Sprinkler Modification**

Issue Date: 1/5/2021

Questions Deadline: 1/29/2021 12:00 PM (CT)

Response Deadline: 2/4/2021 02:00 PM (CT)

Collin County Purchasing

#### **Contact Information**

Contact: JD Griffin, CPPB Senior Buyer

Address: Purchasing

Admin. Building

Ste.3160

2300 Bloomdale Rd.

Ste. 3160

McKinney, TX 75071

Phone: (972) 548-4116

Fax: (972) 548-4694

Email: [jgriffin@co.collin.tx.us](mailto:jgriffin@co.collin.tx.us)

## Event Information

Number: 2021-099 Addendum 2  
Title: Construction, Collin County Sheriff's Office Fire Sprinkler Modification  
Type: Invitation for Bid - Construction  
Issue Date: 1/5/2021  
Question Deadline: 1/29/2021 12:00 PM (CT)  
Response Deadline: 2/4/2021 02:00 PM (CT)  
Notes: SCOPE OF WORK INCLUDES all materials, labor, equipment and services to produce or be incorporated in such construction. Contract will be a general contract for expansion of the existing PFC-6075R Pre-Action Fire Alarm System with the installation of new smoke detection and manual pull station for the Collin County Sheriff's Office Sprinkler Modification at 4300 Community Avenue, McKinney, Texas, as indicated and described in the contract documents. Log in to view bid documents.

## Ship To Information

Address: Sheriff's Office  
4300 Community Ave.  
McKinney, TX 75071

## Billing Information

Address: Auditor  
Admin. Building  
Ste. 3100  
2300 Bloomdale Rd.  
Ste. 3100  
McKinney, TX 75071

## Bid Activities

### Mandatory Pre-Bid Conference (RSVP Required)

1/20/2021

A MANDATORY PRE-BID CONFERENCE will be held by Collin County at the Collin County Sheriff's Office Lobby, 4300 Community Ave., McKinney, TX 75071 on Wednesday, January 20, 2021 in order for bidders to ask questions regarding the proposed work. All bidders desiring to bid the work should have a representative at the pre-bid conference; bidders that do not attend the pre-bid conference shall not be considered in the evaluation for award of a contract per Texas Local Government Code 262.0256. Attendance shall be mandatory at the pre-bid conference. It is the bidder's responsibility to review the site and documents to gain a full understanding of the requirements of the bid. Due to the current COVID-19 social distancing recommendations, a limit of six (6) attendees will be allowed during each session in addition to three (3) County representatives. Each contractor attending shall be limited to two (2) participants. All participants will be required to provide and wear a face mask that covers the mouth and nose, have temperature checked and complete a Covid-19 screening questionnaire upon arrival. The first conference session will begin at 9:00 AM followed by sessions at 10:00 AM, 11:00 AM and 1:30 PM (as needed). Bidders interested in attending the pre-bid conference shall RSVP to [purchasing@co.collin.tx.us](mailto:purchasing@co.collin.tx.us) with "2021-099, Collin County Sheriff's Office Fire Sprinkler Modification" in the subject line, no later than Tuesday, January 19, 2021 at 12:00 PM. RSVP response shall include company name, name of individuals that will be attending (maximum of 2) and the preferred session time. Attendees for each session will be scheduled in the order they are received. No oral, telegraphic, telephonic or facsimile bids will be considered. IFB's, RFP's, RFQ's and RFI's may be submitted in electronic format via Collin County eBid at <https://collincountytx.ionwave.net>

## Mandatory Pre-Bid Conference (RSVP Required)

1/25/2021

A MANDATORY PRE-BID CONFERENCE will be held by Collin County at the Collin County Sheriff's Office Lobby, 4300 Community Ave., McKinney, TX 75071 on Monday, January 25, 2021 in order for bidders to ask questions regarding the proposed work. All bidders desiring to bid the work should have a representative attend one pre-bid conference; bidders that do not attend one pre-bid conference shall not be considered in the evaluation for award of a contract per Texas Local Government Code 262.0256. ATTENDANCE AT BOTH PRE-BID CONFERENCES IS NOT REQUIRED. It is the bidder's responsibility to review the site and documents to gain a full understanding of the requirements of the bid. Due to the current COVID-19 social distancing recommendations, a limit of six (6) attendees will be allowed during each session in addition to three (3) County representatives. Each contractor attending shall be limited to two (2) participants. All participants will be required to provide and wear a face mask that covers the mouth and nose, have temperature checked and complete a Covid-19 screening questionnaire upon arrival. The first conference session will begin at 9:00 AM followed by a session at 10:00 AM. Bidders interested in attending the pre-bid conference shall RSVP to [purchasing@co.collin.tx.us](mailto:purchasing@co.collin.tx.us) with "2021-099, Collin County Sheriff's Office Fire Sprinkler Modification" in the subject line, no later than Friday, January 22, 2021 at 3:00 PM. RSVP response shall include company name, name of individuals that will be attending (maximum of 2) and the preferred session time. Attendees for each session will be scheduled in the order they are received.

## Bid Attachments

---

### Addendum 2\_2021-099.doc

Addendum 2

[View Online](#)

### 1-20-2021 Pre-Bid Attendee List.pdf

1-20-2021 Mandatory Pre-Bid Conference Attendee List

[View Online](#)

### Attachment A.pdf

Attachment A

[View Online](#)

### Attachment B.docx

Attachment B

[View Online](#)

### Addendum 1\_2021-099.doc

Addendum 1

[View Online](#)

### 004100-Bid Form Addendum 1.pdf

Section 004100-Bid Form Addendum 1

[View Online](#)

### LEGAL NOTICE\_2021-099.doc

Legal Notice

[Download](#)

### CCSO Sprinkler Modification\_Specifications.pdf

Specifications

[View Online](#)

### CCSO Sprinkler Modification\_Drawings.pdf

Drawings

[View Online](#)



# Requested Attachments

---

## Bid Bond

*(Attachment required)*

Bid Security: All Bidders must submit, prior to the bid opening time, a Certified Check, Cashier's Check or acceptable Bid Bond payable without recourse to Collin County in the amount of not less than five percent (5%) of the total bid plus alternates as submitted.

1. Bid Bond, certified check or Cashier's Check may be mailed or delivered to the Office of the Collin County Purchasing Agent, Collin County Administration Building, 2300 Bloomdale Road, Ste 3160, McKinney, TX 75071 and shall be delivered in an envelope, marked plainly on the outside with the Bid Name and Number.
2. Bidders submitting a bid via Collin County eBid shall upload a Bid Bond at <https://collincountytx.ionwave.net>.

Regardless of delivery method, all Bid Bonds shall be received prior to the bid opening time to be considered. Failure to submit a copy of bid security prior to bid opening shall be cause for rejection of bid.

The original Bid Bond shall be received in the Collin County Purchasing Department no later than close of business on the third working day after the bid opening. Late receipt of original Bid Bond shall be cause for rejection of bid.

## W-9

*(Attachment required)*

## Conflict of Interest Questionnaire

## Bid Attributes

---

<b>1</b>	<b>Solicitation Submittals</b> <p>In an effort to avoid person-to-person interaction to comply with the latest Order issued to prevent the spread of COVID-19, Collin County Purchasing will temporarily only accept IFB, RFP, RFQ and Quote submittals electronically in Ionwave (eBid) or via parcel carrier until further notice. Please do not deliver your solicitation response in person. All bid openings will be completed on schedule and witnessed by Collin County Purchasing staff to ensure all procurement statutes, policies and state laws are followed. Please initial.</p> <hr/> <hr/> <hr/> <p><i>(Required: Maximum 1000 characters allowed)</i></p>
<b>2</b>	<b>eBid Notice</b> <p>Collin County exclusively uses IonWave Technologies, Inc. (Collin County eBid) for the notification and dissemination of all solicitations. The receipt of solicitations through any other means may result in your receipt of incomplete specifications and/or addendums which could ultimately render your bid/proposal non-compliant. Collin County accepts no responsibility for the receipt and/or notification of solicitations through any other means. Please initial.</p> <hr/> <hr/> <hr/> <p><i>(Required: Maximum 1000 characters allowed)</i></p>

**3 Contact Information**

List the contact name, email address and phone number of the main person(s) Collin County should contact in reference to this solicitation. Contact(s) shall be duly authorized by the company, corporation, firm, partnership or individual to respond to any questions, clarification, and or offers in response to this solicitation.

---

---

---

---

---

---

---

---

*(Required: Maximum 4000 characters allowed)*

**4 Calendar Days Bid**

Please state the consecutive calendar days bid from notice to proceed through completion of project.

*(Required: Numbers only)*

**5 Exceptions**

Do you take exception to the specifications? If so, by separate attachment, please state your exceptions.

Yes  No

*(Required: Check only one)*

**6 Bonding Requirement Acknowledgement**

I understand that the bonding requirements of this solicitation are required and are included in the submitted pricing. A bond certificate (payment, performance, and/or maintenance) as stated in the specification document shall be submitted to the Purchasing department if I am awarded all or a portion of the resulting contract. Please initial.

---

---

---

---

*(Required: Maximum 1000 characters allowed)*

**7 Insurance Acknowledgement – Construction/Public Works**

I understand that the insurance requirements of this solicitation are required and are included in the submitted pricing. The Contractor shall furnish certificates of insurance for both the Contractor and any subcontractor to the Purchasing department if awarded all or a portion of the resulting contract. Please initial.

---

---

---

---

*(Required: Maximum 1000 characters allowed)*

**8 Subcontractors**

State the business name of all subcontractors and the type of work they will be performing under this contract. If you are fully qualified to self-perform the entire contract, please respond with "Not Applicable-Self Perform".

---

---

---

---

---

---

---

---

*(Required: Maximum 4000 characters allowed)*

**9 Reference No. 1**

List a company or governmental agency, other than Collin County, where these same/like products/services, as stated herein, have been provided. Texas references preferred. Include the following: Company/Entity, Contact, Address, City/State/Zip, Phone, and E-Mail.

---

---

---

---

---

---

---

---

*(Required: Maximum 4000 characters allowed)*

**1  
0 Reference No. 2**

List a company or governmental agency, other than Collin County, where these same/like products/services, as stated herein, have been provided. Texas references preferred. Include the following: Company/Entity, Contact, Address, City/State/Zip, Phone, and E-Mail.

---

---

---

---

---

---

---

---

*(Required: Maximum 4000 characters allowed)*

**1  
1 Reference No. 3**

List a company or governmental agency, other than Collin County, where these same/like products/services, as stated herein, have been provided. Texas references preferred. Include the following: Company/Entity, Contact, Address, City/State/Zip, Phone, and E-Mail.

---

---

---

---

---

---

---

---

*(Required: Maximum 4000 characters allowed)*

**1**  
**2** **Preferential Treatment**

The County of Collin, as a governmental agency of the State of Texas, may not award a contract to a nonresident bidder unless the nonresident's bid is lower than the lowest bid submitted by a responsible Texas resident bidder by the same amount that a Texas resident bidder would be required to underbid a nonresident bidder to obtain a comparable contract in the state in which the nonresident's principal place of business is located (Government Code, Title 10, V.T.C.A., Chapter 2252, Subchapter A).

1. Is your principal place of business in the State of Texas?
2. If your principal place of business is not in Texas, in which State is your principal place of business?
3. If your principal place of business is not in Texas, does your state favor resident bidders (bidders in your state) by some dollar increment or percentage?
4. If your state favors resident bidders, state by what dollar amount or percentage.

---



---



---



---



---



---

*(Required: Maximum 4000 characters allowed)*

**1**  
**3** **Debarment Certification**

I certify that neither my company nor an owner or principal of my company has been debarred, suspended or otherwise made ineligible for participation in Federal Assistance programs under Executive Order 12549, "Debarment and Suspension," as described in the Federal Register and Rules and Regulations. Please initial.

---



---

*(Required: Maximum 1000 characters allowed)*

**1**  
**4** **Immigration and Reform Act**

I declare and affirm that my company is in compliance with the Immigration and Reform Act of 1986 and all employees are legally eligible to work in the United States of America. I further understand and acknowledge that any non-compliance with the Immigration and Reform Act of 1986 at any time during the term of this contract will render the contract voidable by Collin County. Please initial.

---



---

*(Required: Maximum 1000 characters allowed)*

**1**  
**5** **Disclosure of Certain Relationships**

Chapter 176 of the Texas Local Government Code requires that any vendor considering doing business with a local government entity disclose the vendor's affiliation or business relationship that might cause a conflict of interest with a local government entity. Subchapter 6 of the code requires a vendor to file a conflict of interest questionnaire (CIQ) if a conflict exists. By law this questionnaire must be filed with the records administrator of Collin County no later than the 7th business day after the date the vendor becomes aware of an event that requires the statement to be filed. A vendor commits an offense if the vendor knowingly violates the code. An offense under this section is a misdemeanor. By submitting a response to this request, the vendor represents that it is in compliance with the requirements of Chapter 176 of the Texas Local Government Code. Please send completed forms to the Collin County County Clerk's Office located at 2300 Bloomdale Rd., Suite 2104, McKinney, TX 75071. Please initial.

---



---

*(Required: Maximum 1000 characters allowed)*

**1**  
**6** **Anti-Collusion Statement**

Bidder certifies that its Bid/Proposal is made without prior understanding, agreement, or connection with any corporation, firm, or person submitting a Bid/Proposal for the same materials, services, supplies, or equipment and is in all respects fair and without collusion or fraud. No premiums, rebates or gratuities permitted; either with, prior to, or after any delivery of material or provision of services. Any such violation may result in Agreement cancellation, return of materials or discontinuation of services and the possible removal from bidders list. Please initial.

\_\_\_\_\_  
\_\_\_\_\_  
\_\_\_\_\_  
*(Required: Maximum 1000 characters allowed)*

**1**  
**7** **Disclosure of Interested Parties**

Section 2252.908 of the Texas Government Code requires a business entity entering into certain contracts with a governmental entity to file with the governmental entity a disclosure of interested parties at the time the business entity submits the signed contract to the governmental entity. Section 2252.908 requires the disclosure form (Form 1295) to be signed by the authorized agent of the contracting business entity, acknowledging that the disclosure is made under oath and under penalty of perjury. Section 2252.908 applies only to a contract that requires an action or vote by the governing body of the governmental entity before the contract may be signed or has a value of at least \$1 million. Section 2252.908 provides definitions of certain terms occurring in the section. Section 2252.908 applies only to a contract entered into on or after January 1, 2016. Please initial.

\_\_\_\_\_  
\_\_\_\_\_  
\_\_\_\_\_  
*(Required: Maximum 1000 characters allowed)*

**1**  
**8** **Notification Survey**

In order to better serve our offerors, the Collin County Purchasing Department is conducting the following survey. We appreciate your time and effort expended to submit your bid. Should you have any questions or require more information please call (972) 548-4165. How did you receive notice of this request?

- Plano Star Courier     Plan Room     Collin County eBid Notification     Collin County Website  
 Other

*(Required: Check only one)*

**1**  
**9** **Bid Bond Acknowledgement**

I understand that accompanying this bid, is a certified check, cashier's check or Bid Bond in the amount of five percent (5%) of the total amount bid. Bidders submitting a bid via Collin County eBid shall upload a Bid Bond at <https://collincountytx.ionwave.net>. Regardless of delivery method, all Bid Bonds shall be received prior to the bid opening time to be considered.

I understand that the original Bid Bond shall be received in the Collin County Purchasing Department no later than close of business on the third working day after the bid opening. **Late receipt of original Bid Bond shall be cause for rejection of bid.** Please initial.

\_\_\_\_\_  
\_\_\_\_\_  
\_\_\_\_\_  
\_\_\_\_\_  
\_\_\_\_\_  
*(Required: Maximum 4000 characters allowed)*

**2  
0** Construction Acknowledgement

Bidder, declares that the only person or parties interested in this bid are those principals named herein, that his/her bid is made without collusion with any other person, firm or corporation, that he/she has carefully examined the Contract Documents including the Advertisement for Bids, Instruction to Bidders, Construction Agreement, Specifications and the Drawings, therein referred to and has carefully examined the locations, conditions and classes of materials for the proposed work, and agrees that he/she will provide all the necessary labor, machinery, tools, equipment, apparatus and other items incidental to construction and will do all the work and furnish all the materials called for in the Contract Documents in the manner prescribed therein. Bidder hereby declares that he/she has visited the site of the Work and has carefully examined the Contract Documents pertaining to the Work covered by the above Bid, and he/she further agrees to commence work within ten (10) consecutive calendar days after date of written Notice to Proceed and to substantially complete the work on which he/she has bid within the number of days specified subject to such extensions of time allowed by Specifications. Bidder certifies that the bid prices contained in this bid have been carefully checked and are submitted as correct and final. The prices have been shown in words and figures for each item listed in this bid and it is understood that in the event of a discrepancy, the words shall govern. Please initial.

\_\_\_\_\_  
\_\_\_\_\_  
\_\_\_\_\_

*(Required: Maximum 1000 characters allowed)*

**2  
1** Addendum No. 1 Acknowledgement

Please initial to verify your receipt of the addendum.

\_\_\_\_\_  
\_\_\_\_\_  
\_\_\_\_\_

*(Required: Maximum 1000 characters allowed)*

**2  
2** Addendum No. 2 Acknowledgement

Please initial to verify your receipt of the addendum.

\_\_\_\_\_  
\_\_\_\_\_  
\_\_\_\_\_

*(Required: Maximum 1000 characters allowed)*

**Bid Lines**

**1** Package Header

Bid Grand Total

Quantity:   1   UOM:   lump sum   Total: \$

Item Notes: Total Material Cost (Line 1.1) and Total Labor Cost (Line 1.2) must add up to the Bid Grand Total.

Supplier Notes: \_\_\_\_\_  
\_\_\_\_\_

- No bid
- Alternate specification  
*(Attach separate sheet)*
- Additional notes  
*(Attach separate sheet)*

## Package Attributes

### 1. Bid Grand Total- Written in Words

The contract award will be based on the total bid price.

---

---

---

---

---

---

(Required: Maximum 4000 characters allowed)

## Package Items

### 1.1 Total Materials Cost Incorporated in Project

(Response required)

Quantity:   1   UOM:   lump sum   Price: \$  Total: \$

Supplier Notes: \_\_\_\_\_

- No bid  
 Additional notes  
(Attach separate sheet)

### 1.2 Total Labor Cost Incorporated in Project

(Response required)

Quantity:   1   UOM:   lump sum   Price: \$  Total: \$

Supplier Notes: \_\_\_\_\_

- No bid  
 Additional notes  
(Attach separate sheet)

## 2 Unit Prices

(Line excluded from response total)

Supplier Notes: \_\_\_\_\_

- Additional notes  
(Attach separate sheet)

## Item Attributes

### 1. Addressable photoelectric smoke detector (with base).

Refer to Section 28 3100, 1.9 Unit Prices

\$

(Required: Numbers only)

### 2. Addressable duct detector (with 10-foot sampling tube).

Refer to Section 28 3100, 1.9 Unit Prices

\$

(Required: Numbers only)

### 3. Remote LED indicator.

Refer to Section 28 3100, 1.9 Unit Prices

\$

(Required: Numbers only)

**4. Remote test switch.**

Refer to Section 28 3100, 1.9 Unit Prices

\$

*(Required: Numbers only)*

**5. Addressable heat detector (with base).**

Refer to Section 28 3100, 1.9 Unit Prices

\$

*(Required: Numbers only)*

**6. Conventional heat detector (with base).**

Refer to Section 28 3100, 1.9 Unit Prices

\$

*(Required: Numbers only)*

**7. Addressable manual pull station.**

Refer to Section 28 3100, 1.9 Unit Prices

\$

*(Required: Numbers only)*

**8. Addressable monitor module.**

Refer to Section 28 3100, 1.9 Unit Prices

\$

*(Required: Numbers only)*

**9. Addressable control module.**

Refer to Section 28 3100, 1.9 Unit Prices

\$

*(Required: Numbers only)*

**10. Voice amplifier (with batteries).**

Refer to Section 28 3100, 1.9 Unit Prices

\$

*(Required: Numbers only)*

**11. Remote notification appliance power supply (with batteries).**

Refer to Section 28 3100, 1.9 Unit Prices

\$

*(Required: Numbers only)*

**12. Conventional relay.**

Refer to Section 28 3100, 1.9 Unit Prices

\$

*(Required: Numbers only)*

**13. Speaker (both wall and ceiling mount).**

Refer to Section 28 3100, 1.9 Unit Prices

\$

*(Required: Numbers only)*

**14. ADA (UL 1971) strobe (both wall and ceiling mount).**

Refer to Section 28 3100, 1.9 Unit Prices

\$

*(Required: Numbers only)*



**15. ADA (UL 1971) combination speaker/strobe (both wall and ceiling mount).**

Refer to Section 28 3100, 1.9 Unit Prices

\$

*(Required: Numbers only)*

**16. Thirty feet of 3/4" EMT conduit.**

Refer to Section 28 3100, 1.9 Unit Prices

\$

*(Required: Numbers only)*

**17. Isolation module.**

Refer to Section 28 3100, 1.9 Unit Prices

\$

*(Required: Numbers only)*

**18. Transponder with batteries.**

Refer to Section 28 3100, 1.9 Unit Prices

\$

*(Required: Numbers only)*

**Supplier Information**

Company Name: \_\_\_\_\_

Contact Name: \_\_\_\_\_

Address: \_\_\_\_\_

\_\_\_\_\_

\_\_\_\_\_

\_\_\_\_\_

Phone: \_\_\_\_\_

Fax: \_\_\_\_\_

Email: \_\_\_\_\_

**Supplier Notes**

\_\_\_\_\_

\_\_\_\_\_

\_\_\_\_\_

\_\_\_\_\_

\_\_\_\_\_

\_\_\_\_\_

\_\_\_\_\_

\_\_\_\_\_

The undersigned hereby certifies the foregoing bid submitted by the company listed below hereinafter called "bidder" is the duly authorized agent of said company and the person signing said bid has been duly authorized to execute same. Bidder affirms that they are duly authorized to execute this contract; this company; corporation, firm, partnership or individual has not prepared this bid in collusion with any other bidder or other person or persons engaged in the same line of business; and that the contents of this bid as to prices, terms and conditions of said bid have not been communicated by the undersigned nor by any employee or agent to any other person engaged in this type of business prior to the official opening of this bid.

\_\_\_\_\_  
*Print Name*

\_\_\_\_\_  
*Signature*