

Curb Cut for Private Drainage Outlet

Connection to curb must be with Curb-o-Let for approved equal. Installation of Curb-o-Let must be per manufacturer's instructions (See attached details).

Sawcut and remove the existing curb and gutter to the dimensions required for the fitting, minimum of 16" length.

Dowel into existing pavement with #4 rebars. Minimum two bars.

Rebar, fitting, and formwork must be inspected by County personnel prior to placing new concrete.

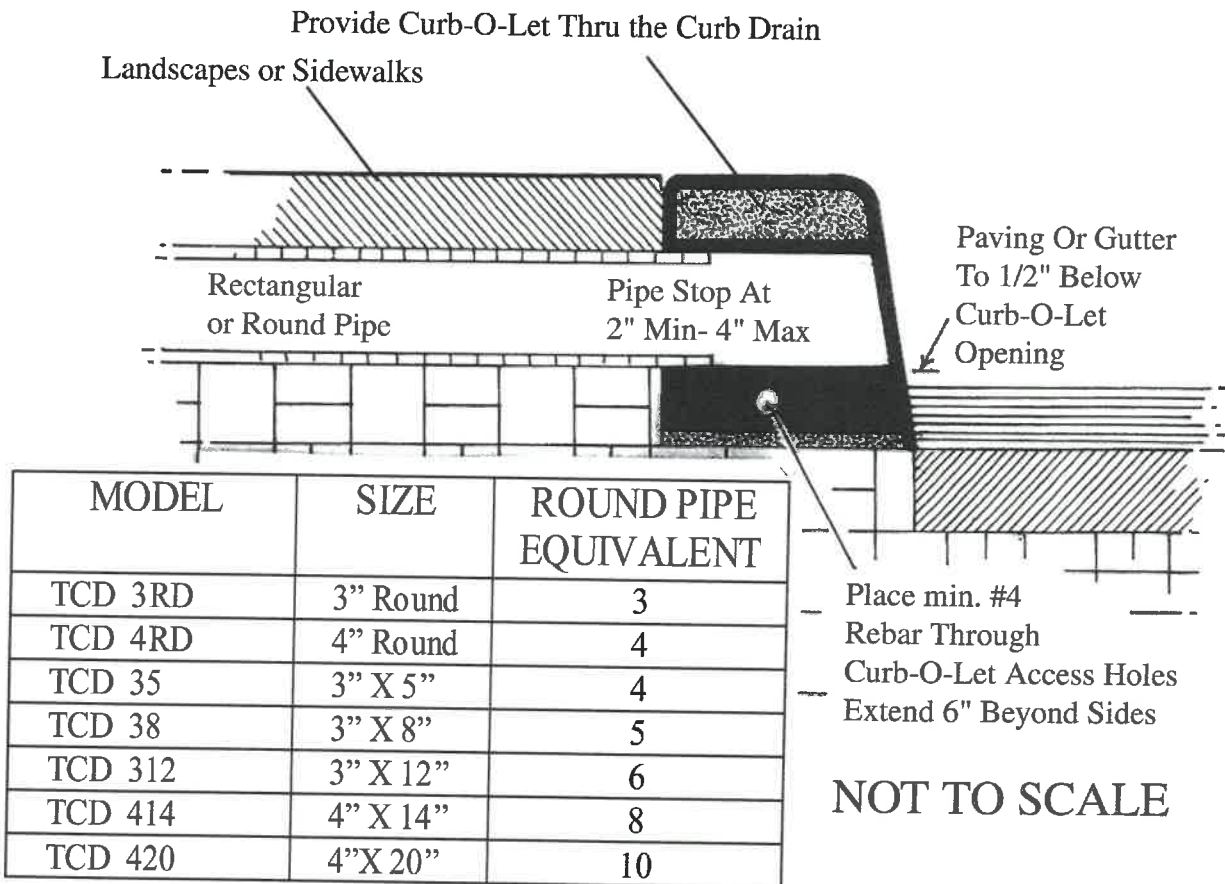
Concrete must be minimum 4,000 psi. Quikrete or similar is acceptable. Water/Cement ratio must be per manufacturer's recommendations. Vibrate concrete by machine or hand to remove all voids. Concrete placement must be inspected by County personnel.



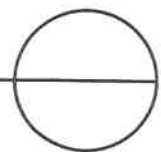
Architects and Engineers Curb-O-Let Thru the Curb Drain Specifications & Cut Sheet

Visit our website at: <http://www.curboletproduct.com>

Install As Per Manufacturer's Recommendations



Curb-O-Let Thru The Curb Drain



Permission is granted to copy this page.

(714) 903-2468
(562) 867-4587
Fax (562) 920-1994

Curb-O-Let™

Thru The Curb Drain



For further information, write or call us at:

9421 Monterey Avenue

Bellflower, CA 90706

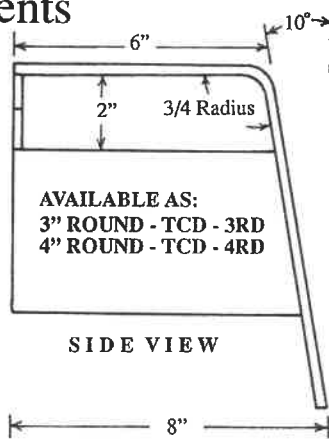
(714) 903-2468

(562) 867-4587

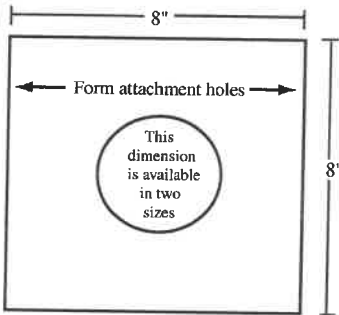
Fax (562) 920-1994

Visit our website at: <http://www.curboletproduct.com>

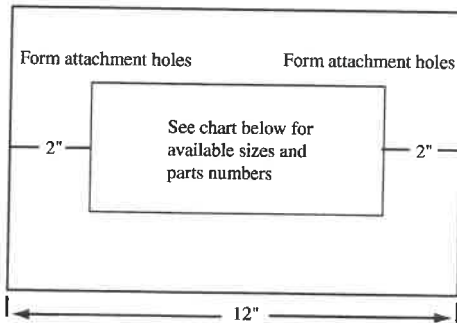
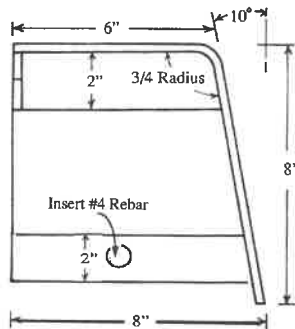
Measurements



SIDE VIEW



FRONT VIEW



FRONT VIEW

patent pending

Standard Model – No Labeling

MODEL	SIZE	ROUND PIPE EQUIVALENT
TCD 35	3" X 5"	4
TCD 38	3" X 8"	5
TCD 312	3" X 12"	6
TCD 414	4" X 14"	8
TCD 4RD	4" Round	4
TCD 3RD	3" Round	3
TCD 422	4" X 22"	10

Labeled – Roof Drain

TCD 3RD	3" Round	3
TCD 4RD	4" Round	4
TCD 35	3" X 5"	4
TCD 38	3" X 8"	5
TCD 312	3" X 12"	6
TCD 414	4" X 14"	8
TCD 422	4" X 22"	10

Labeled – Overflow Drain

TCD 35 OFD	3" X 5"	4
TCD 38 OFD	3" X 8"	5
TCD 312 OFD	3" X 12"	6
TCD 414 OFD	4" X 14"	8
TCD 4RD OFD	4" Round	4
TCD 3RD OFD	3" Round	3

All Curb-O-Let products are manufactured to close tolerances. Very slight variations in size are possible.

Curb-O-Let fits standard 6" and 8" curb face.
Epoxy Coated Finishes available on request.

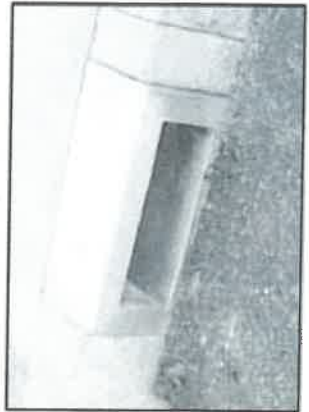


Curb-O-Let Features

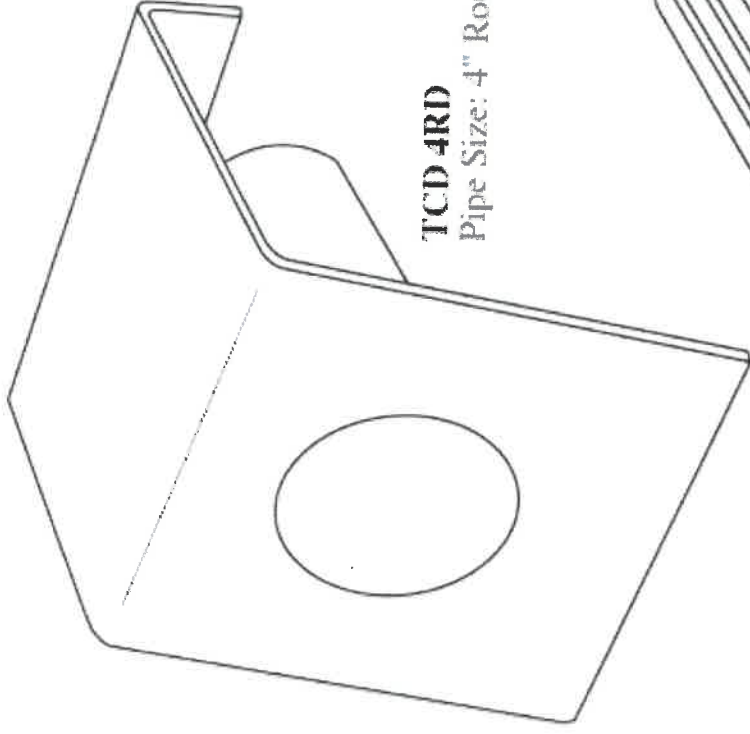
All Curb-O-Let's are available in stamped Roof Drain, Overflow Drain or with no stamping.

- Hot Dip Galvanized
- Meets ASTM Standards
- LA City Approved
- Heavy Gauge Steel
- Five Minute Install
- Long Lasting
- No Concrete Cracking
- Self Leveling
- Self Aligning
- No Cutting of Forms
- No Misaligned Pipe

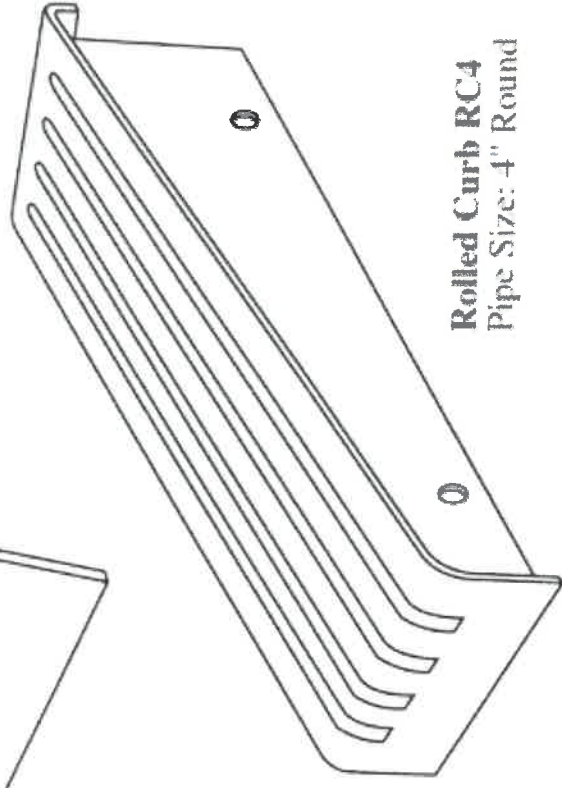
With Curb-O-Let



Without Curb-O-Let



TCD 4RD
Pipe Size: 4" Round



Rolled Curb RC4
Pipe Size: 4" Round